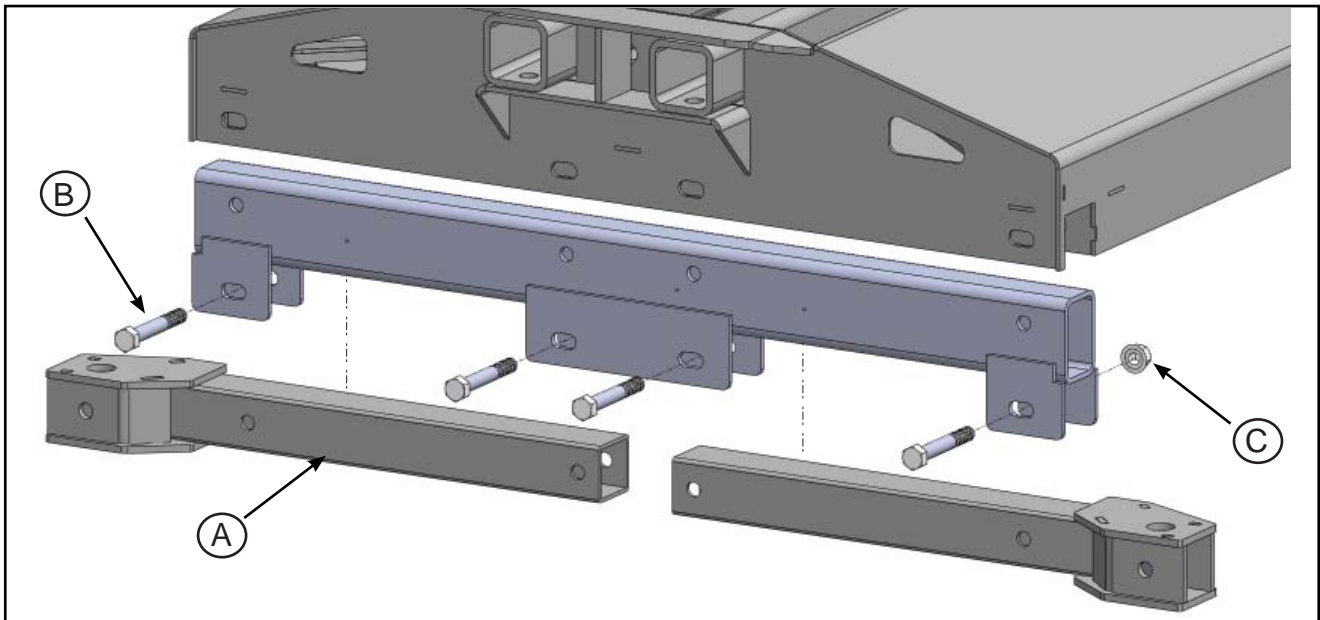




# 12k 3" Lift Kit

## #3108

1. Check the Parts List quantities below before you begin. Call (800) 443-2307 to report any shortage.
2. Measure and note the distance between the 1" post hole centers on the rear *and* front base rails.
3. Remove the hitch pins from the mounting posts and remove the SuperGlide hitch from the base rails, setting the hardware aside for reuse.
4. Install the 3" lift base rails onto the rear and front base of the hitch as seen below.
5. Center, and tighten the lift kit to the hitch base using the hardware you removed previously.
6. Reinstall the 12k base rails to the lift kit, in the same orientation they were on the hitch prior to removing them, using the new hardware included with the kit.
7. Center the rails from side-to-side using the measurement obtained in Step 2. Loosely tighten the bolts in place.
8. Reinstall the hitch, lift kit, and base rail assembly onto the mounting posts in the bed.
9. Tighten all bolts {B} to 75 foot pounds.



### PARTS LIST

Item	Description	Part No.	Qty.	Material
A	12K 3" SUPERGLIDE LIFT BASE RAILS	310801	2	
B	BASE RAIL BOLT	98010187	8	1/2" - 13 X 3-1/2" GRD #5
C	BASE RAIL FLANGE NUT	98150201	8	1/2" - 13 FLANGE NUT