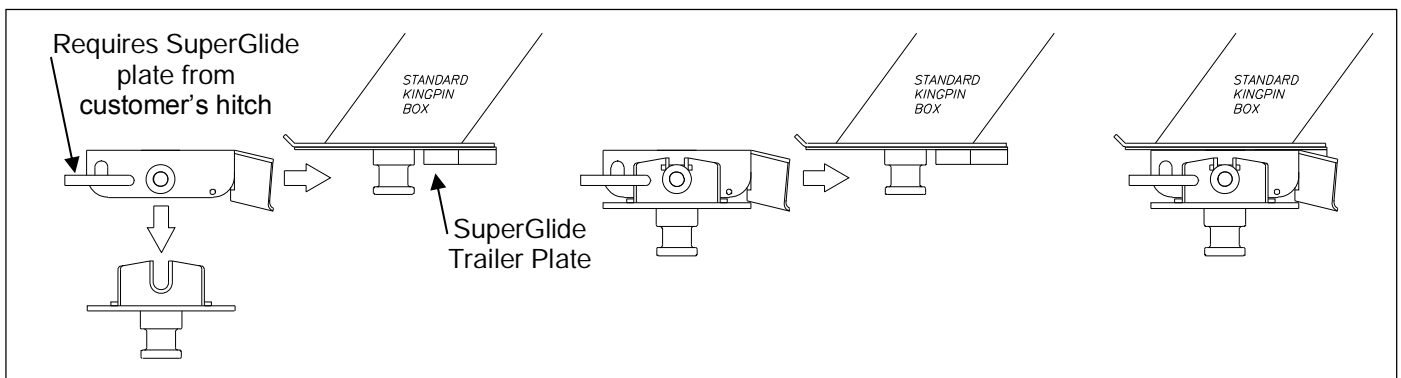




3336 Conversion Adapter Owner / Operator Instructions

*This Adapter will allow your trailer to be pulled by a non-SuperGlide hitch
when used in conjunction with the head of your SuperGlide.*



Instructions:

1. Remove the 5th wheel plate (part# 3601) from the SuperGlide hitch by removing the ½" x 2" clevis pins and clips.
2. Slide the **Conversion Adapter** onto the 5th wheel hitch of the non-SuperGlide hitch.
3. Insert the Super 5th plate (your SuperGlide hitch head) in the **Conversion Adapter** cradles, and secure with the ½" x 2" clevis pins and clips.
4. Hook up to the trailer conventionally.

NOTE: Hook-up must be performed in straight line.



PULLIAM ENTERPRISES, INC.
13790 East Jefferson Blvd.
Mishawaka, IN 46545
(574) 259-1520 or (800) 443-2307
info@pullrite.com • www.pullrite.com