

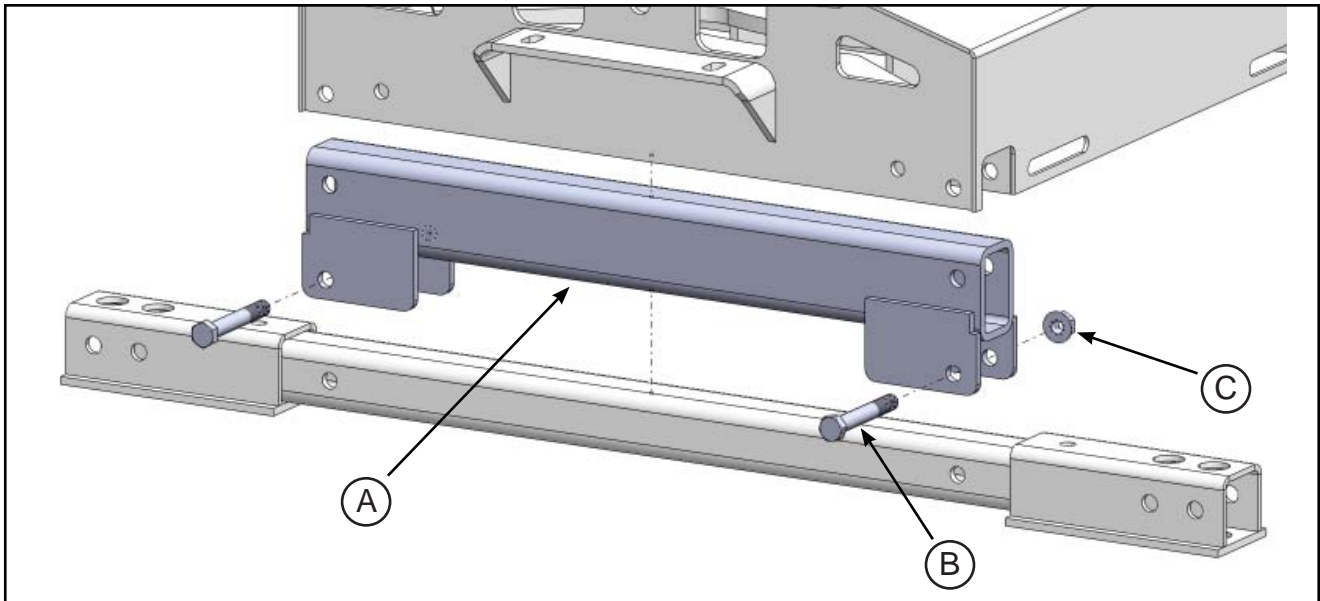


3" Lift Kit

#4408

(for use with UMK Base Rails or SuperRails)

1. Check the Parts List quantities below before you begin. Call (800) 443-2307 to report any shortage.
2. Remove the SuperGlide hitch from the base rails, making mental note of the holes being used *before* you remove the hitch completely, as you will be reinstalling the risers in the same location.
3. Install the 3" lift base rails on the SuperGlide rails where your hitch was previously, and loosely tighten the risers down with the bolts provided.
4. Reinstall the hitch onto the 3" lift base rails.
5. Tighten the bolts {B} to 75 foot pounds.



PARTS LIST

Item	Description	Part No.	Qty.	Material
A	LIFT BASE RAILS	440801	2	
B	BASE RAIL BOLT	98010187	4	1/2" - 13 X 3-1/2" GRD #5
C	BASE RAIL FLANGE NUT	98150201	4	1/2" - 13 FLANGE NUT