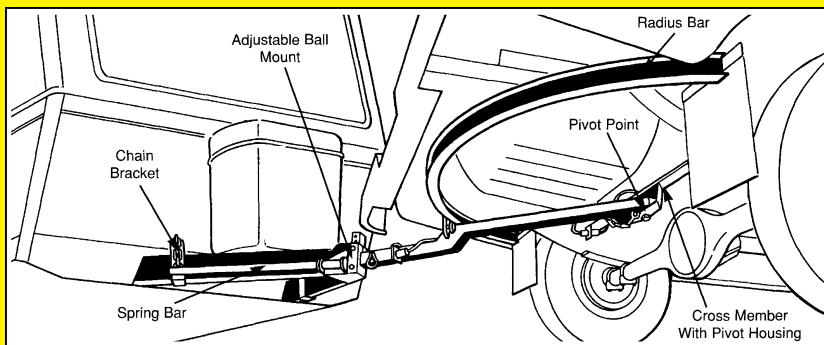


Trailer towing problems?

Ordinary hitches **cause** problems.
PullRite makes extraordinary hitches
that **eliminate** problems.



Most of the dangers RV'ers encounter while towing travel trailers are caused by the design of ordinary travel trailer hitches. They're designed with a pivot point at the ball and coupler behind the tow vehicle bumper.

That pivot point between the truck axle and the trailer axle creates trailer sway - it's simply a fact.

Sway controls are then sometimes added attempting to cover up and deal with sway - but they only hide the problem which is always there.

Don't let ordinary hitch designs make trailer towing difficult, stressful, and dangerous.

Choose a better design.

The design of the PullRite hitch is unique. It eliminates the pivot point at the trailer ball and creates a pivot point at the axle of the tow vehicle. It acts like a 5th wheel hitch - but mounted under the vehicle instead of above the axle.

PullRite hitches are total towing solutions. With the weight distributing system being an integral part of the PullRite design, weight is equalized and dangerous sway is eliminated.

Achieve 5th wheel trailer towing characteristics with a travel trailer!

- Safety
- Maneuverability
- Comfort
- Confidence

Installations include a wide choice of tow vehicles including trucks, vans, and most sport utility vehicles.

From the smallest travel trailers to the largest toy haulers, there's a model to provide safer towing for your trailer.

**SAFE & COMFORTABLE
TRAILER TOWING
AHEAD**

Ask your RV Retailer to show you the PullRite video tape or counter top display to see the benefits for yourself.

Once you've seen how the PullRite hitch makes trailer sway impossible, you'll never settle for an ordinary hitch again. **Your safety depends on it.**

If you need help identifying the correct PullRite hitch to fit your trailer towing needs, call PullRite's Towing Specialists at 800/443-2307.

