



# DODGE

## SuperRail Mounting Kit

### #3120



---

# Installation Instructions

---

## SPECIFICATIONS

- Fits 2009-2012 Dodge 1500 ton w/ 5' 7" bed
  - Hitch located center of the axle
  - Added limitations on trailers over 90" wide
- Can be used with trailers 96" wide if the king pin is 6" in front of the leading edge of the trailer

# IMPORTANT

## DO NOT OPERATE HITCH UNTIL YOU READ THIS SECTION!

1. The SuperGlide hitch was designed to allow the Turntable Cam Arm Assembly to “glide” along two metal tubes, called the Way Tubes. Since its release in 1998, we have made several advancements in the design, strength, and durability of these components. The Lubrication section of your Owners Manual spans several product releases and design changes. It is *imperative* that you read each section and determine which SuperGlide hitch you purchased, and how to care for it. There have been three major lubrication changes to the SuperGlide hitch:
  - Prior to April 2008, Way Tubes were assembled with either a conventional, quality grade grease or none at all
  - In April 2008, we started coating the Way Tubes with a graphite-based spray lubricant called SlipPlate™
  - November 2009 brings a new innovation from PullRite Towing Systems with the use of plastics. The Turntable Cam Arm Assembly is now equipped with Plastic Wear Plates; see Owners Manual for details (not available for #3600 models)

Depending on when your hitch was manufactured, the Way Tubes of your new SuperGlide hitch will meet one of the above criteria. Each application listed requires some level of maintenance, so it is important that you read the following instructions carefully for the correct lubrication instructions.

***Failure to properly lubricate the Way Tubes, as directed in this section, will eventually cause galling between the metals of the Way Tubes and Cam Arm Assembly, which will result in hitch failure. Destruction of various hitch parts is also likely, as well as truck and/or trailer damage, and will not be covered under the Manufacturer’s Warranty.***

2. **THE TRAILER’S KING PIN BOX MUST BE EQUIPPED WITH A CAPTURE PLATE (UNIVERSAL OR QUICK CONNECT) TO ALLOW THE HITCH TO FUNCTION (MUST BE PURCHASED SEPARATELY). NOTE: IF YOU HAVE PURCHASED A QUICK CONNECT CAPTURE PLATE AND DID NOT RECEIVE INSTRUCTIONS, THEY ARE AVAILABLE ONLINE, OR YOU CAN CONTACT PULLRITE CUSTOMER SERVICE AT (800) 443-2307.**
3. Failure to modify the length of the brake away cable that activates the emergency braking of your trailer, may cause the cable to catch on protruding parts of the hitch. Resulting damage will not be covered by the manufacturers warranty.
4. There should be a minimum of 6” between the truck bed rails and the under side of the trailer for side tilt clearance. It is the customers responsibility to adjust the trailer king pin box for the appropriate amount of clearance.

**NOTE:** Some truck models are being manufactured with higher bed sides, making it necessary to adjust the height of your trailer’s king pin box. If you don’t have enough height adjustment available, PullRite produces a 3” Lift Kit that attaches to the rails of your #3100 (ask for part #3108) or #4100, #3300 and #4400 (ask for part #4408; *rated only for 18K when used with model #4400*) SuperGlide models.
5. Some truck beds have contoured bed sides, making the inside bed measurement narrower. Make certain the trailer’s king pin box does not contact the inside edge of the bed.
6. Trucks with bed liners may need a tall Mounting Post. See “NOTE” under “Drilling the Bed” for further details.
7. It is the installers and customers responsibility to ensure there is proper clearance between the truck and trailer. There should be a minimum of 2” of clearance as the trailer passes the cab. Call PullRite technical support with trailer width, make and year of truck and distance the king pin is from leading edge of the trailer (See “Caution” section, in the SuperGlide Owners Manual, for measuring procedure) at (800) 443-2307.
8. Read these instructions completely and follow them accurately. Should you have any questions, please call Customer Service at (800) 443-2307 prior to installation for assistance. *If you did not receive your Owners Manual, visit us online at [www.pullrite.com](http://www.pullrite.com) or call the number above.*
9. The SuperGlide was designed for short bed pickup trucks. The hitch may function in a longer bed truck, but no mounting brackets exist to make the transfer. Some #4100 and #4400 mounting kits may transfer with modification.

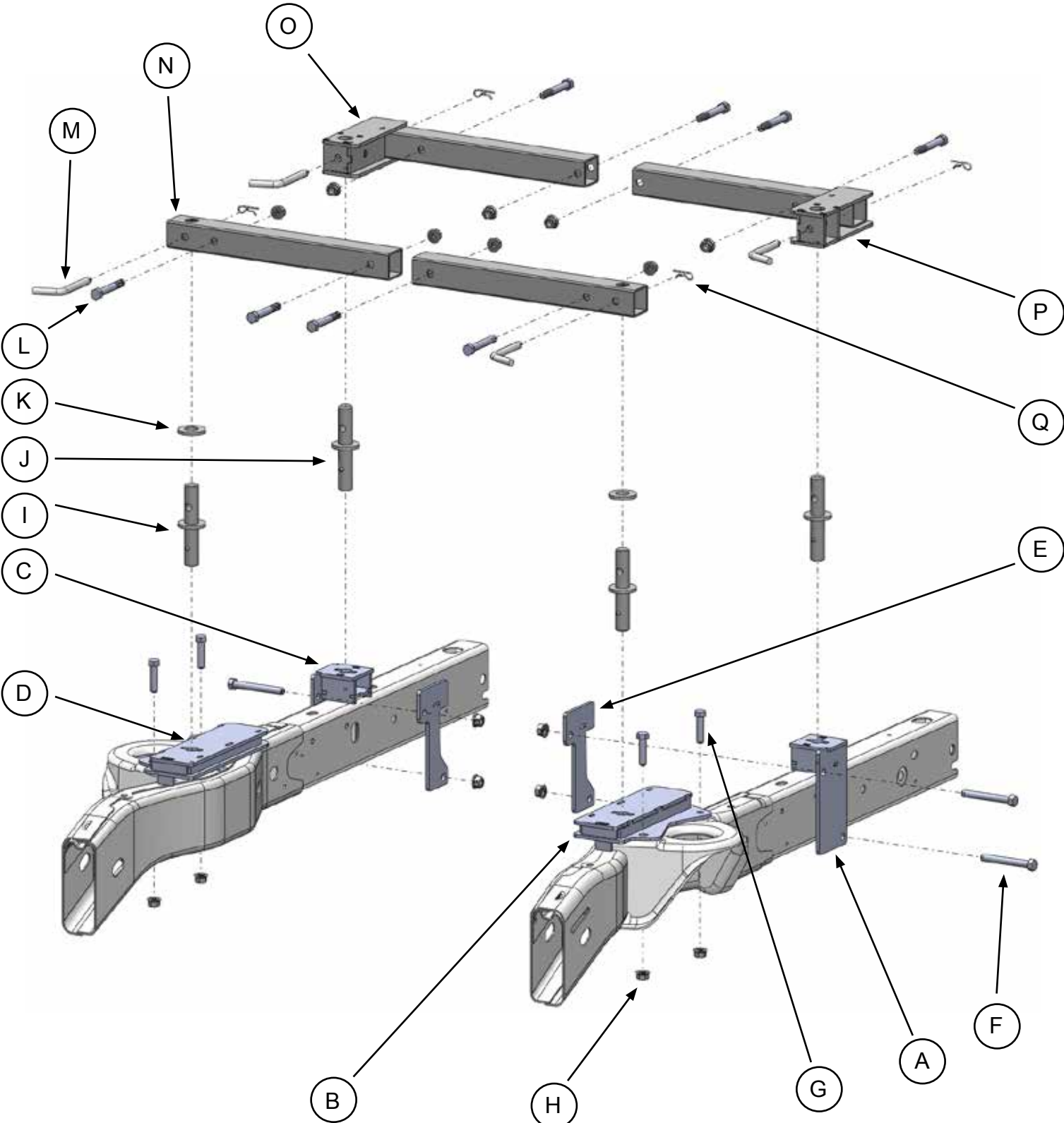
### **#3100 SuperGlide Applications**

The #3100 SuperGlide was designed for specific short bed pickup trucks. The hitch may function in a longer bed truck, but no mounting brackets exist to easily make the transfer.

# TABLE OF CONTENTS

Illustration -- Mounting Hardware Parts Identification.....	4
Parts List.....	5
Installation - Truck Preparation.....	6
Installation - Marking the Bed for Drilling.....	6
Layout Method	
Template Method	
Truck Bed Layout.....	7
Template Method	
Layout Method	
“Truck Bed Dimension Table”	
Mounting Bracket Installation.....	8-9
Part 1 - Bracket Placement & Bed Hole Locations	
Illustration - Hitch Assembly Exploded View.....	10
Part 2 - Drilling the Bed & Bracket Installation.....	11
Rear Bracket Installation	
Front Bracket Installation	
Part 3 - Hitch Alignment.....	12
Part 4 - Final Installation Procedures	

# MOUNTING HARDWARE PARTS IDENTIFICATION



# PARTS LIST

<b>DODGE SUPER RAIL MOUNTING KIT</b>			
Description	Part No.	Qty. Used	Material
MOUNTING BRACKET KIT	3120	1	(See kit contents listed below)

<b>#3120 — MOUNTING BRACKET KIT</b>				
Item	Description	Part No.	Qty.	Material
A	REAR DRIVER SIDE BRACKET	312003	1	
B	FRONT DRIVER SIDE BRACKET	312001	1	
C	REAR PASSENGER SIDE BRACKET	312004	1	
D	FRONT PASSENGER SIDE BRACKET	312002	1	
E	REAR BRACKET BACKUP PLATES	31200305	2	
N	FRONT BASE RAILS	31200601	2	BASE RAILS (18-7/16" LONG)
O	REAR PASSENGER SIDE BASE RAIL	312009	1	
P	REAR DRIVER SIDE BASE RAIL	312008	1	

<b>#312005 — MOUNTING BRACKET HARDWARE KIT</b>				
Item	Description	Part No.	Qty.	Material
F	REAR MOUNTING BRACKET BOLTS	98010191	4	1/2" - 13 x 4" HHCS GRD 5
G	FRONT MOUNTING BRACKET BOLTS	98010167	4	1/2" - 13 x 1-1/2" HHCS GRD 5
H	1/2" FLANGE NUT	98150201	16	1/2" - 13 SERRATED FLANGE NUT
I	FRONT MOUNTING POSTS	311507	2	* TITAN MOUNTING POST ASSEMBLY
J	REAR MOUNTING POSTS	330701	2	3300 MOUNTING POST ASSEMBLY
K	MOUNTING POST FLANGE	33070102	2	
L	BASE RAIL BOLTS	98010187	8	1/2"-13 x 3-1/2" HHCS GRD 5
M	BASE RAIL PINS	08060001	4	1/2" RD.
Q	PIN CLIP	98410127	4	#3 PIN CLIP

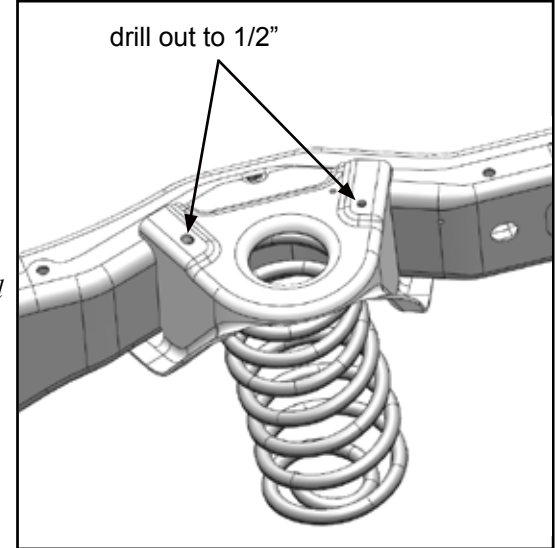
\* Titan Mounting Posts are identifiable by a "T" that is stamped on the top of the post.

<b>LAYOUT TEMPLATE</b>			
Description	Part No.	Qty. Used	Material
LAYOUT BED TEMPLATE	31200000	1	<b>ITEM SOLD SEPARATELY</b>

# INSTALLATION

## Truck Preparation

1. Check part quantities using the Parts List on Page 5.
2. Block vehicle wheels. Some vehicles may require you to raise the rear of the truck in order to make it easier to drill for installing the mounting brackets on the truck frame.
3. You may wish to remove the wheels to give yourself greater working room.
4. Carefully remove the plastic inner wheel well guards on both sides of the vehicle.
5. Unclip the wiring harness from the frame on the driver's side near the rear coil spring area and from the top of the rear coil spring bracket. *It would be helpful to zip tie or tape the wiring harness out of the way during the installation process so no wires are severed.*
6. There are two 3/8" holes located on the top of the rear coil spring bracket (see illustration to the right). These holes need to be drilled out to 1/2" using a step drill. There is room to fit the drill up from the bottom between the rear coil spring and the rear coil spring bracket. Repeat this step for both sides of the vehicle.
7. If you have purchased a template, proceed to the "Template Method" below; otherwise, begin with the "Layout Method."



## Marking Bed for Drilling

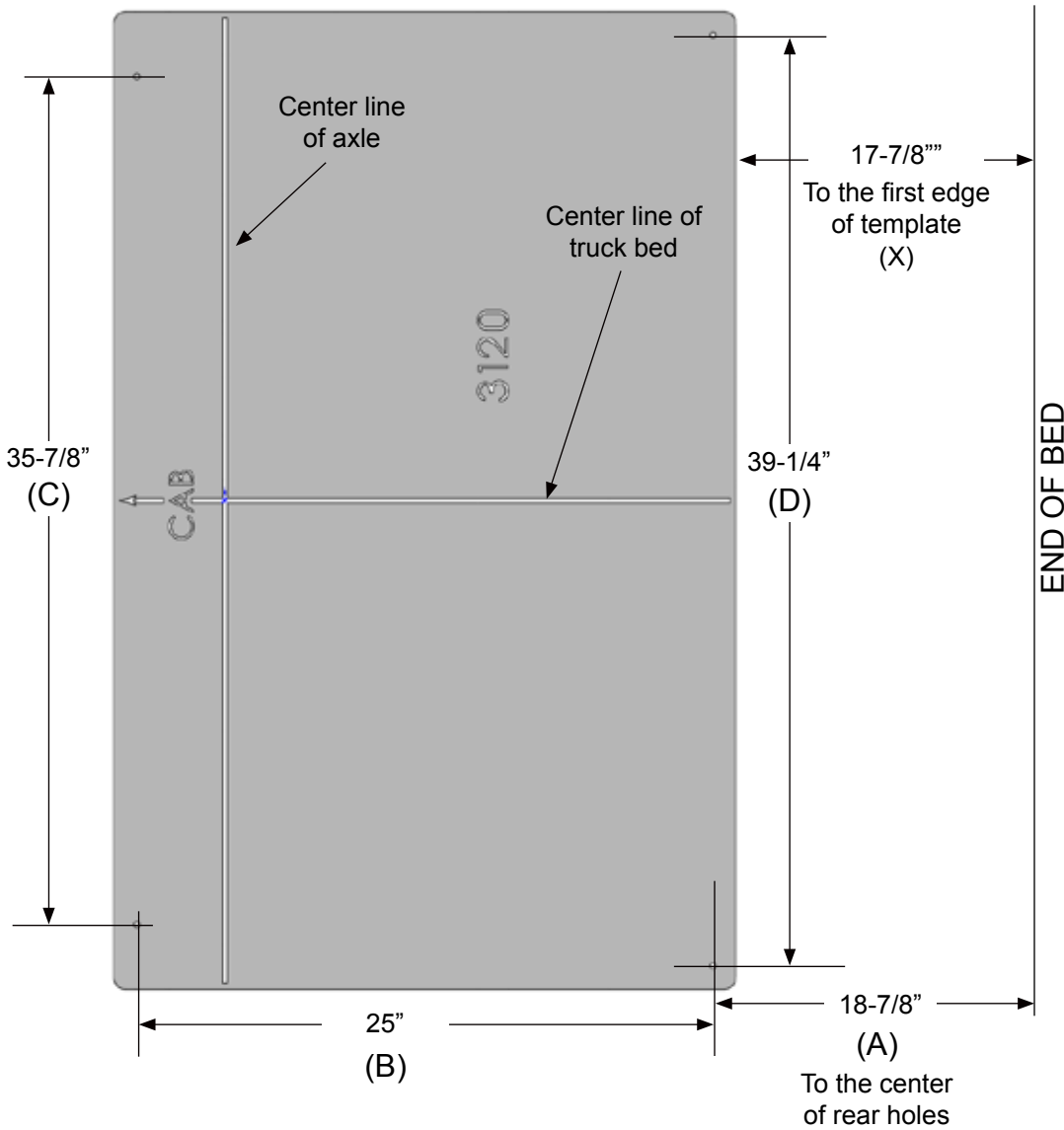
### Layout Method

1. See "Truck Bed Dimension Table" under "Layout Method" on Page 7 for the dimensions. Measure and mark from the back of the bed forward, the values for "A" and "B". Do this at any point on both sides of the bed.
2. Draw a line across the bed from mark to mark.
3. Find the centerline of the bed.
4. Draw a line down the middle of the bed from front-to-rear.
5. Center the measurement of "C" across the centerline at the front-most line you made in step 2 and mark the measurement on each side (parallel to the centerline).
6. Center the measurement of "D" for the rear most line made in step 2, and again mark the measurement on each side (parallel to the centerline). This will locate the 4 drill holes.

### Template Method

1. Lay the template in the truck bed, centering it from side-to-side, and parallel to the end of the truck bed using the dimension "X" listed in "Truck Bed Dimension Table" on Page 7.
2. Mark the 4 holes, while making sure the template does not move.

# TEMPLATE METHOD



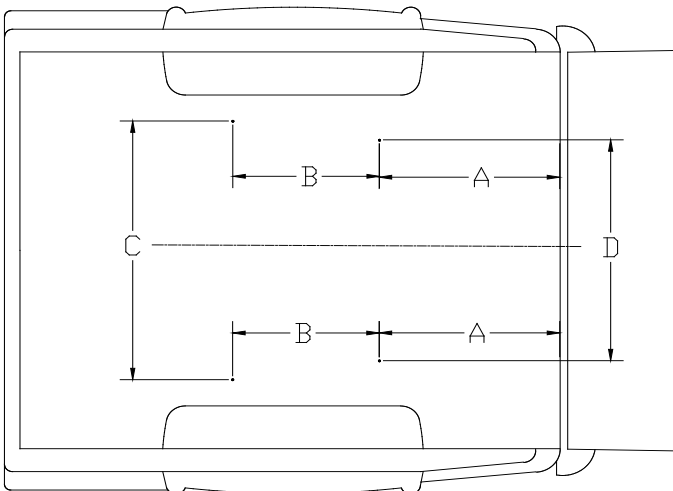
## NOTES:

The TEMPLATE should be orientated as shown in the drawing to the left. Notice that the spacing of the forward and rearward facing holes may be different, and can be used to determine the correct orientation of the template. Item "C" in the table below shows the forward facing dimension, and Item "D", the rearward facing dimension. Note also, the information etched into the template — the direction of the cab, the template number and the revision date.

## INSTALLATION TIP:

The template has a tendency to move when placed on the slick paint of new truck beds, and it may be helpful to place a small piece of NON-SKID matting, such as "SCOOT-GARD"™ or simply use duct tape on each corner to help keep the template from moving.

# LAYOUT METHOD



**Truck Bed Dimension Table**

LAYOUT METHOD			TEMPLATE METHOD		
"A"	"B"	"C"	"D"	"X"	Template Part #
18-7/8"	25"	35-7/8"	39-1/4"	17-7/8"	31200000

## Mounting Bracket Installation

### Part 1: Bracket Placement & Bed Hole Locations

*Since most truck beds are not installed square to the frame or are the same distance from the back of the cab, the installer will need to make sure the bed holes line up properly with the center of each mounting post hole.*

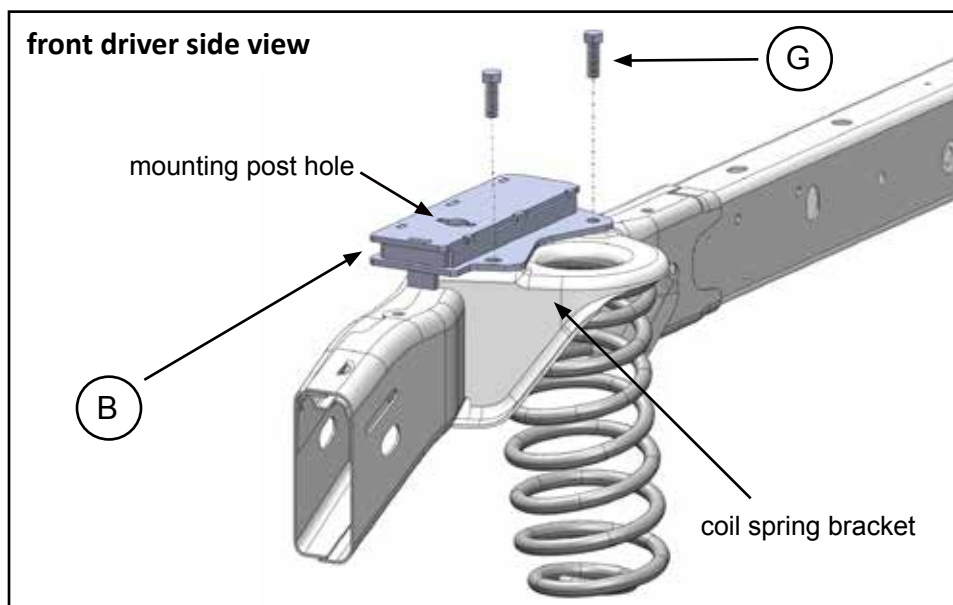
*The basic steps in this section are as follows:*

- *Layout the bed holes*
- *Drill the first pilot hole in the bed*
- *Check centering using the tape method*
- *Adjust the bed hole layout if necessary*
- *Drill the second pilot hole and check centering to ensure bed hole locations are square to the frame; adjust as needed*
- *Drill remaining pilot holes in the bed; check centering*
- *Drill truck frame, if necessary*

### Detailed Installation Instructions

1. Use transparent tape to cover the mounting post hole on the top of each mounting bracket (when the pilot hole is drilled through the bed, the tape will be pierced by the small drill; it should be positioned in the center of the 1" mounting post hole).
2. Install the front driver side mounting bracket {B} to the frame by sliding it between the top of the coil spring bracket and the frame, aligning the holes in the mounting bracket to the holes you drilled out in Step 6 of "Truck Preparation" on Page 6. Make sure the mounting post hole is positioned toward the front of the truck as seen in the picture below.
3. Fasten the mounting bracket flush to the top of the coil spring bracket (some mounting brackets may have a slight warp due to the metal characteristics during the welding process) by inserting the 1/2" bolts {G} provided.

**WARNING:** Prior to drilling any holes, be sure to check the inside of the frame to guard against drilling into the fuel tank, wiring, brake lines, fuel module, or any other component.





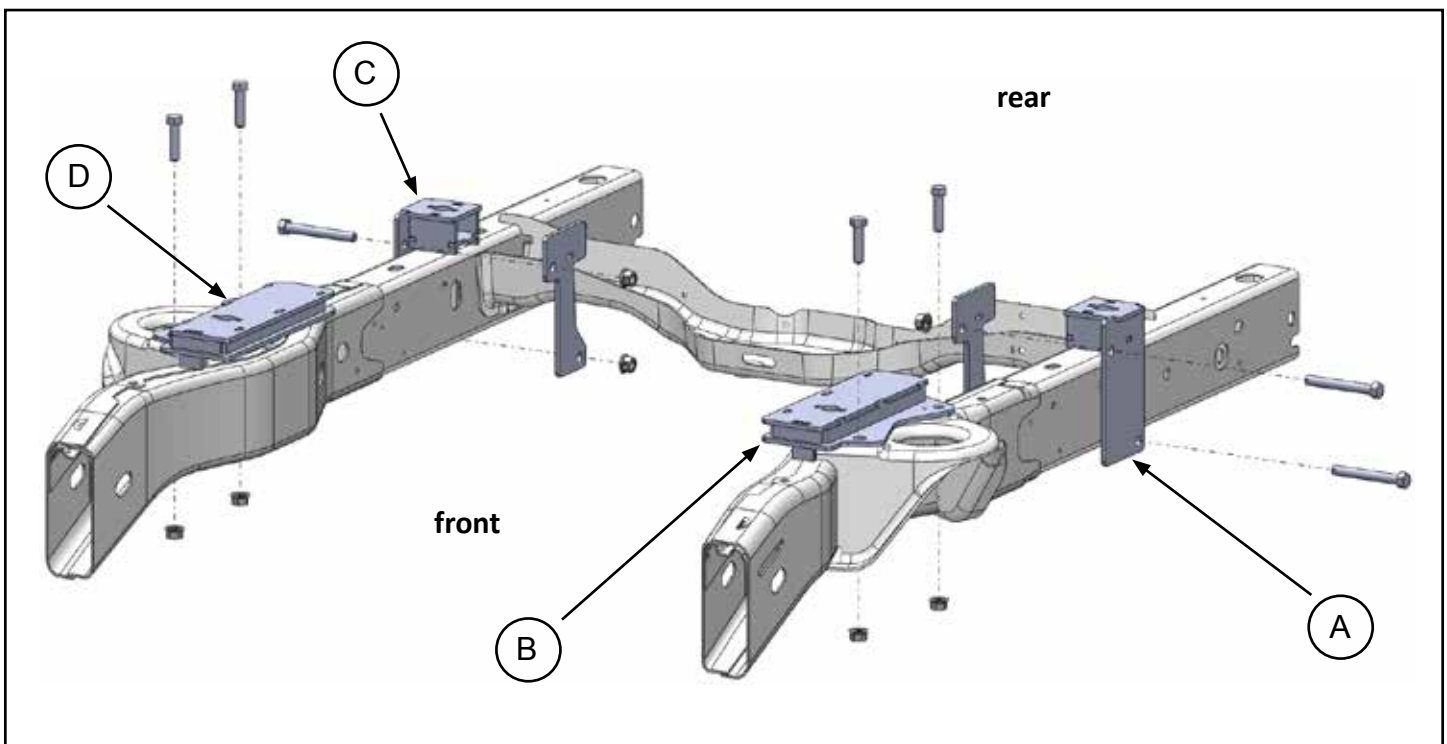
4. Drill the first 1/16" pilot hole through the truck bed over the front hole on the driver side where you made the mark during the "Marking Bed for Drilling" on page 6. The bit should come down through the 1" mounting post hole, piercing the transparent tape, aiding the centering of the bracket front-to-rear and side-to-side.
5. If the pilot hole is off center to the 1" mounting post hole, remember to adjust all the pilot hole locations accordingly.

**NOTE:** Some truck beds are not installed square on their frame by the manufacturer. To ensure your pilot holes are aligned properly, it is important that you use the measurements provided only as a starting point and make adjustments as needed. Once you have the front driver side pilot hole centered, you will use this hole as a point of reference for all remaining pilot hole adjustments. If you are using the Template Method, simply use the properly drilled hole as a pivot point to square the remaining holes to the frame. If you are using the Layout Method, you may accomplish the same thing by using a framing square and straight edge.

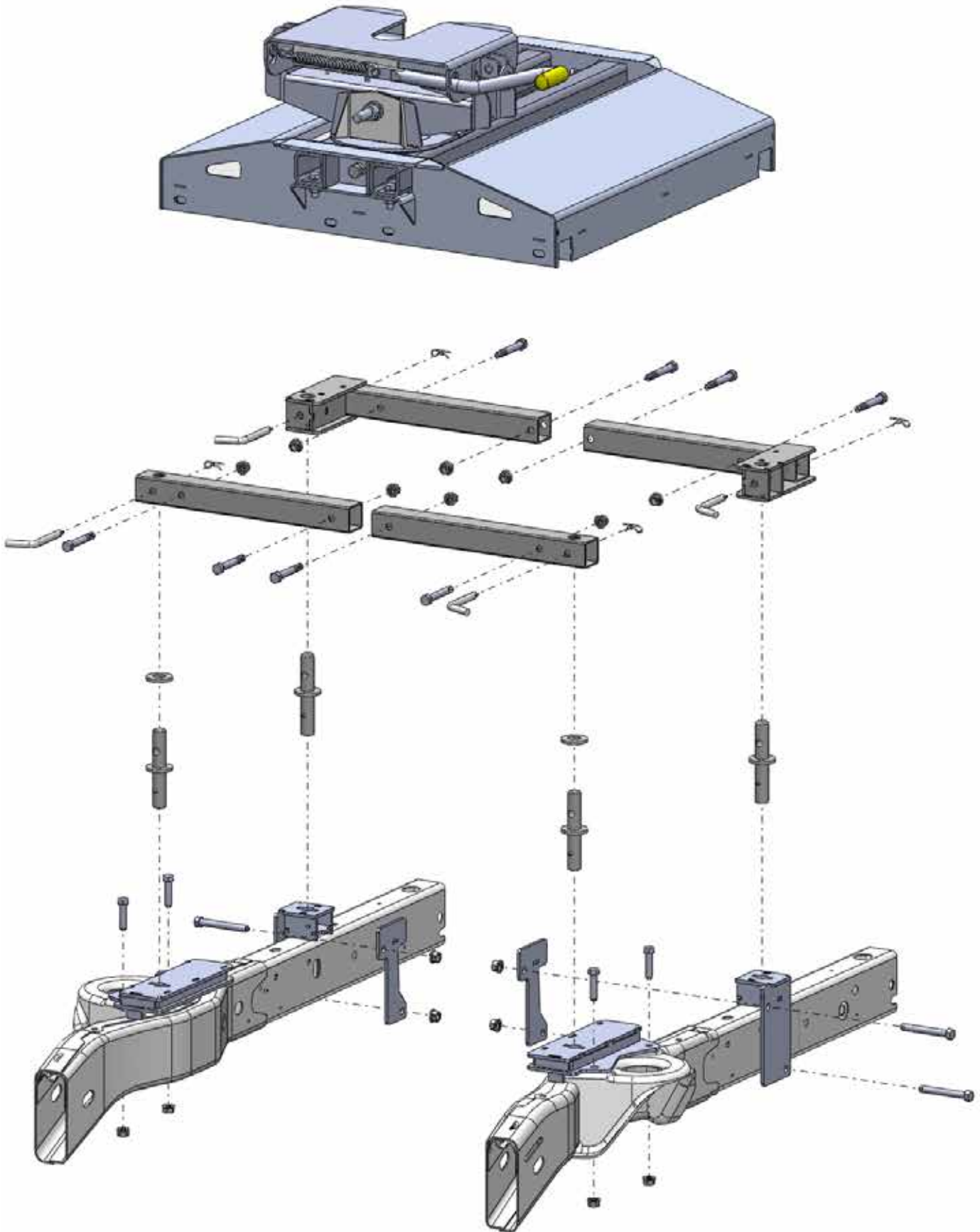
6. Repeat Steps 2-5 for the front passenger side mounting bracket {D}, checking carefully for proper centering.
7. The rear driver side mounting brackets are positioned in front of the crossmember as illustrated below. Align the rear driver side mounting bracket {A} to the frame.
8. Repeat Steps 3-5 for both rear brackets {A} and {C}, making sure both brackets sit flush on top of the frame by using a "C" clamp to secure them.

**NOTE:** Final bracket placement is dependent on the fixed position of the front brackets. The rear brackets can be moved forward and back to achieve the 25", "B" measurement indicated on Page 7.

**WARNING:** Before proceeding to "Part 2, "Drilling the Bed..." you must verify that each pilot hole is centered over the 1" mounting post hole on each bracket before the 1-3/4" mounting post holes are drilled through the bed.



# HITCH ASSEMBLY EXPLODED VIEW



## **Part 2: Drilling the Bed & Bracket Installation**

1. Remove the mounting brackets. Using a 1-3/4" hole saw centered over the 1/16" pilot hole, cut the bed for the mounting posts.
2. De-bur inside the holes and use a paint stick to touch up the edges.

### **Front Bracket Installation**

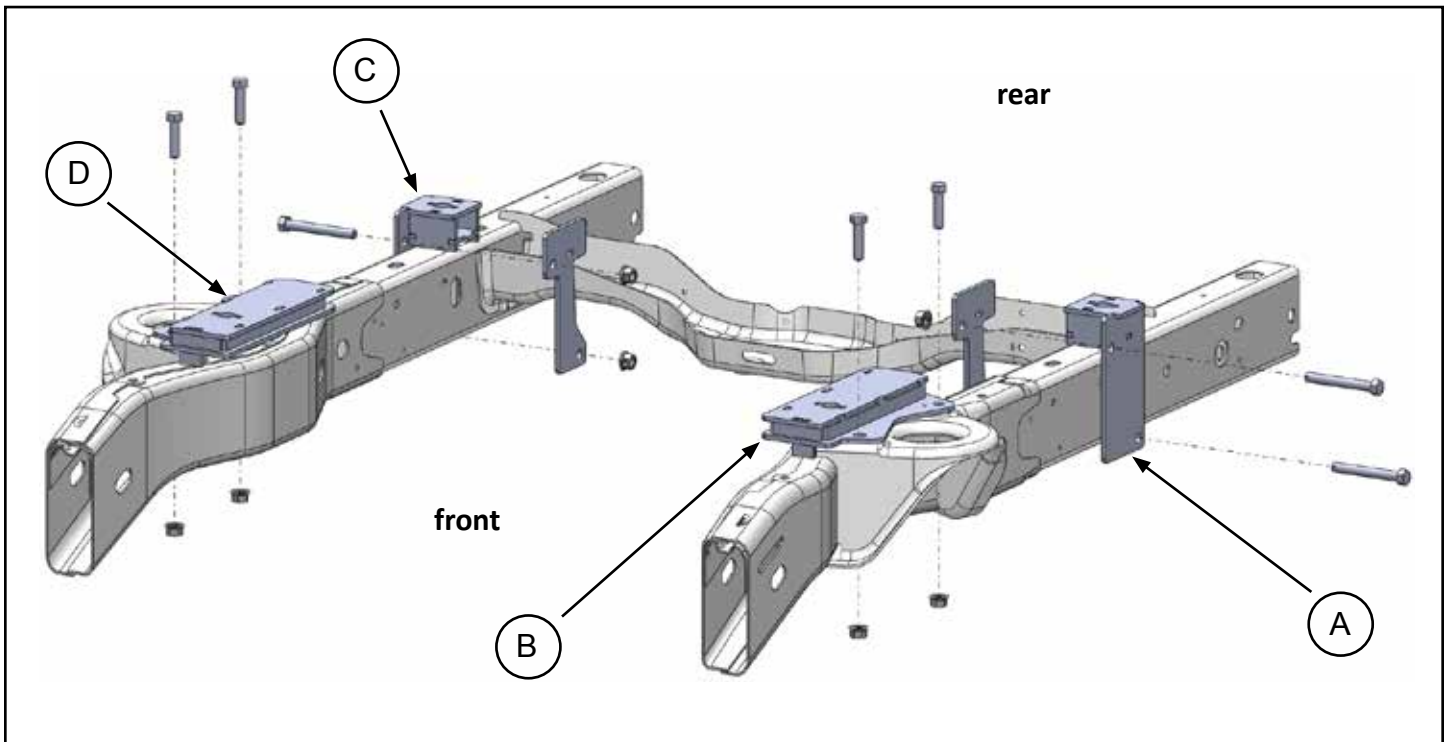
1. Install the front mounting brackets to the frame by sliding the bracket between the top of the coil spring bracket and the truck bed, aligning the holes for proper mounting.
2. Fasten the mounting brackets securely to the frame using the hardware provided. Finger tighten only.

### **Rear Bracket Installation**

1. The rear mounting brackets use backer plates to secure the bracket to the frame. Install the backer plates as illustrated below, on the inside of the frame, lining up the backer plate holes to the holes on the mounting bracket as a guide. Make certain the bracket is sitting flush on top of the frame and against the frame's side wall.

*NOTE:* The rear brackets have a Left and Right orientation. Make sure you get them installed on the correct side of the vehicle. Refer to the illustration below, using the pre-punched holes in the mounting bracket as a guide.

2. Fasten each backer plate to the mounting brackets using the hardware provided. Finger tighten only.



3. Install the mounting posts through the bed into the mounting bracket post holders. Rotate the posts a quarter turn (see the illustration to the right). Four posts are required for installation.

**NOTE:** Vehicles using plastic bed liners may require taller mounting posts to seat properly into the post holders. If taller posts are needed, exchange the front mounting posts {I} with part# 330705 (marked with an “X” on the top of the post), and the rear mounting posts {J} with part#311512 (marked with a “TT” on the top of the post).



### Part 3: Hitch Alignment

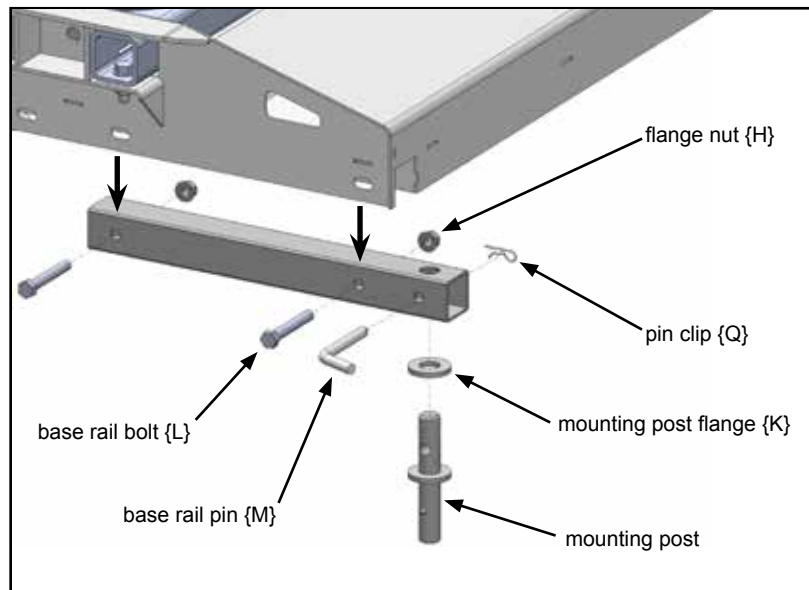
1. Remove the SuperGlide hitch from the shipping carton.
2. Install base rails onto the base of the hitch (offset base rails at the rear, standard rails at the front... obround hole facing downward on all rails), using the supplied bolts (see the illustration on page 10).
3. Loosely tighten the base rail bolts to the base allowing lateral movement as you place the rail assembly over the mounting posts.
4. Install the hitch pins and clips to secure the hitch assembly to the base rails. Use a drift pin to aid your hole alignment.

### Part 4: Final Installation Procedures

1. Tighten mounting bracket bolts first, then base rail bolts, according to the Torque Table.  
**NOTE:** When tightening the rear mounting brackets, torque the bolts only until the backer plates begin to “bend.”
2. Remove the hitch and base rail assembly to verify that the mounting posts can be inserted and turned freely without binding. You may need to loosen the bolts on the mounting brackets below if binding occurs. Adjust as needed and retighten the bolts.
3. Reinstall the mounting posts, installing the mounting post flanges on the *front posts only* (see the illustration on page 4), base rails, and the SuperGlide hitch, until the assembly can be removed freely without binding.

#### Torque Table

3/8" Bolt	— 31 ft. lbs.
1/2" Bolt	— 75 ft. lbs.
5/8" Bolt	— 151 ft. lbs.
3/4" Bolt	— 266 ft. lbs.





*MANUFACTURED BY:*  
PULLIAM ENTERPRISES, INC.  
13790 East Jefferson Blvd.  
Mishawaka, IN 46545  
(574) 259-1520 • (800) 443-2307  
info@pullrite.com • www.pullrite.com