

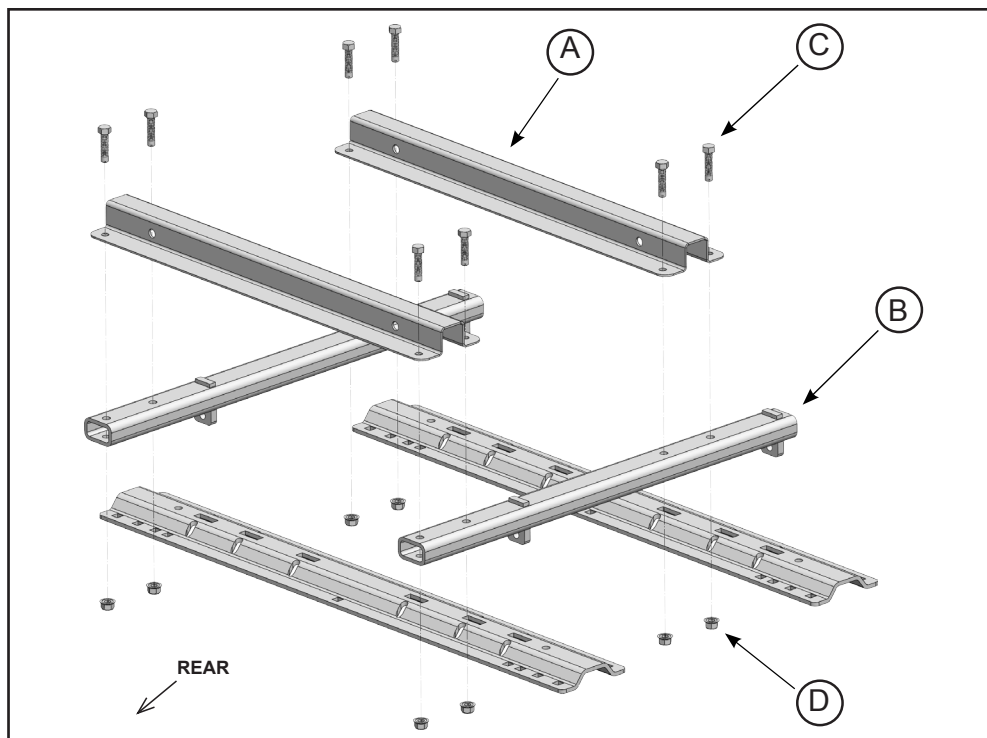


#4409 Industry Standard Rail Adapter

for use with a Traditional Series SuperGlide hitch in vehicles with any brand industry standard rail system
or with PullRite OE Series Adapters #4439, #4442 & #4444

Check the Parts List quantities below before you begin. Call PullRite Towing Systems at (800) 443-2307 to report any shortage.

1. Remove the existing industry standard hitch from the truck.
2. Bolt the Base Rails {A} loosely onto the Attaching Rail Assembly {B}.
3. Install the Attaching Rail Assembly onto your existing base rails and secure by using the base rail pins that fit your current rails. The overhang on the SuperGlide Base Rail Assembly should extend toward the rear of the truck.
4. Install your Traditional Series SuperGlide hitch onto the Base Rails {A}, using the Base Rail Pins provided with your hitch. For complete instructions on installing the pins and clips, visit our website at www.pullrite.com.
5. Tighten all bolts to 75 foot pounds.



PARTS LIST

| item | description | part no. | qty. | |
|------|-------------------------|----------|------|---------------------------|
| A | BASE RAIL | 44090001 | 2 | |
| B | ATTACHING RAIL ASSEMBLY | 440901 | 2 | |
| C | 1/2" BASE RAIL BOLT | 98010178 | 8 | 1/2" - 13 X 2-1/4" GRD #5 |
| D | 1/2" FLANGE NUT | 98150201 | 8 | 1/2" - 13 FLANGE NUT |

NOTE: When used with our OE Series Tow Prep Package for Ford and Chevy, we recommend using the inside-most holes of the base rails to prevent interference on the #4442 and the absence of outside mounting slots on the #4444 (see right).

