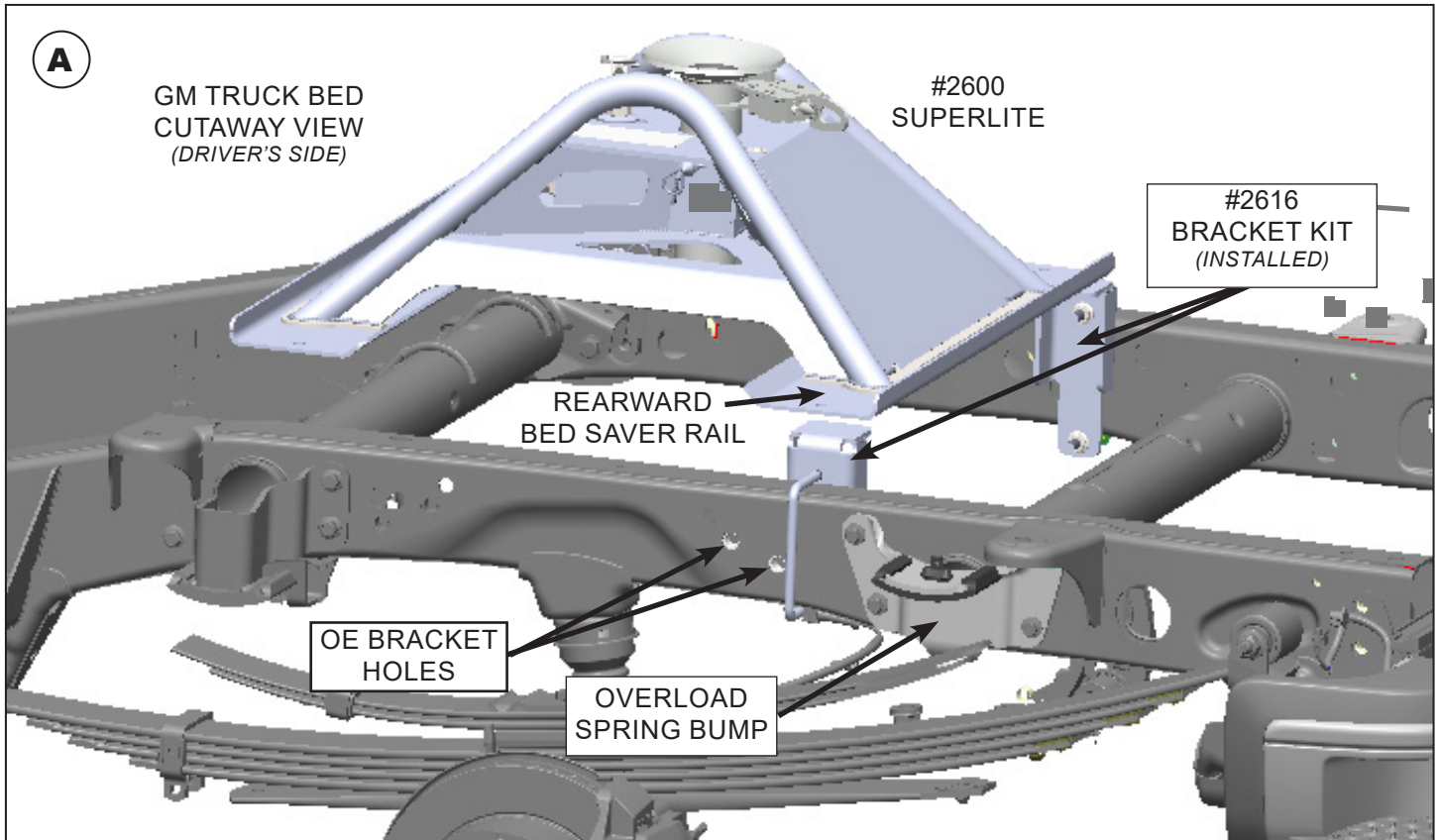




# GM Truck Support Bracket Kit

(Part #2616)

This bracket kit helps support the #2600 SuperLite and #3900 Single Point Attachment Super 5<sup>th</sup> under the GM truck bed. It fastens to the frame beneath the rearward bed saver rail. **Fits 2011-2019 GM trucks (not needed for 2020 models)**



**NOTE:** The Mounting Brackets are identical and can be used for either side.

1. To install, make sure top of the brackets are placed below the #2600 rearward bed saver rail {Fig. A}.
2. Place U-bolt around the truck frame at the point between the OE bracket holes and the overload spring bump {Fig. C} and slide brackets inside truck frame (If OE bracket is present, your truck is equipped with the OE prep package. For this you will need the #2620 OE Puck Plug Kit).
3. Hand tighten Flange Nuts on both brackets {Fig. D} and torque to 75 foot pounds.

