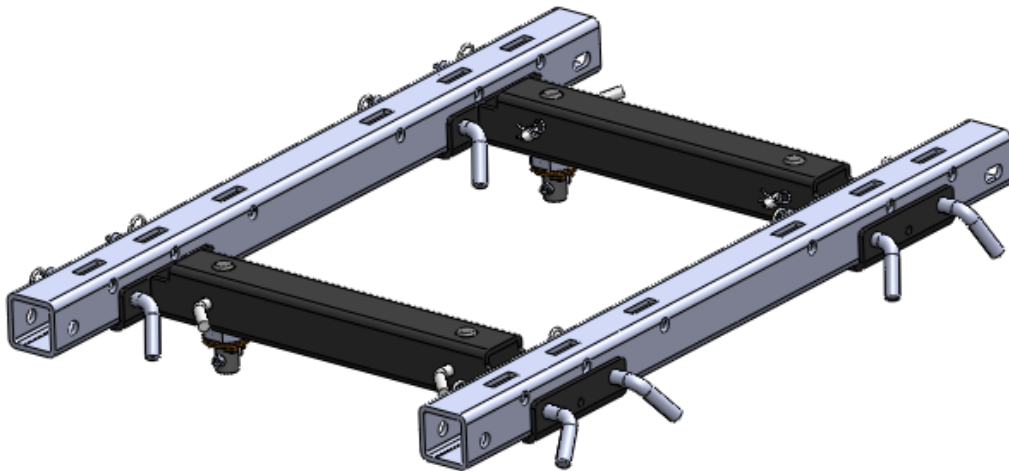




GM 20K OE Series Industry Standard Adapter #4452



Gross Trailer Weight (Maximum) 20,000 lbs.
Vertical Load Weight (Max. Pin Weight)4,500 lbs.

SYSTEM TOW CAPACITY

Please note, in order to determine the total tow capacity of a system, you must consider the weight ratings of each component in that system. This includes, but may not be limited to, the capacity/rating of the tow vehicle, the fifth wheel hitch, and the hitch's mounting system. Actual tow capacity of the system will be equal to the lowest rated component.

Installation Instructions

SPECIFICATIONS

- Fits 2020 to present GM trucks with the OE fifth wheel hitch puck system
 - ISR mounting rails are located center of the axle
 - SAE J2638 tested and rated to 20K capacity

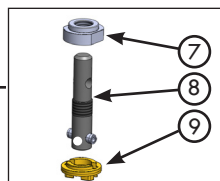
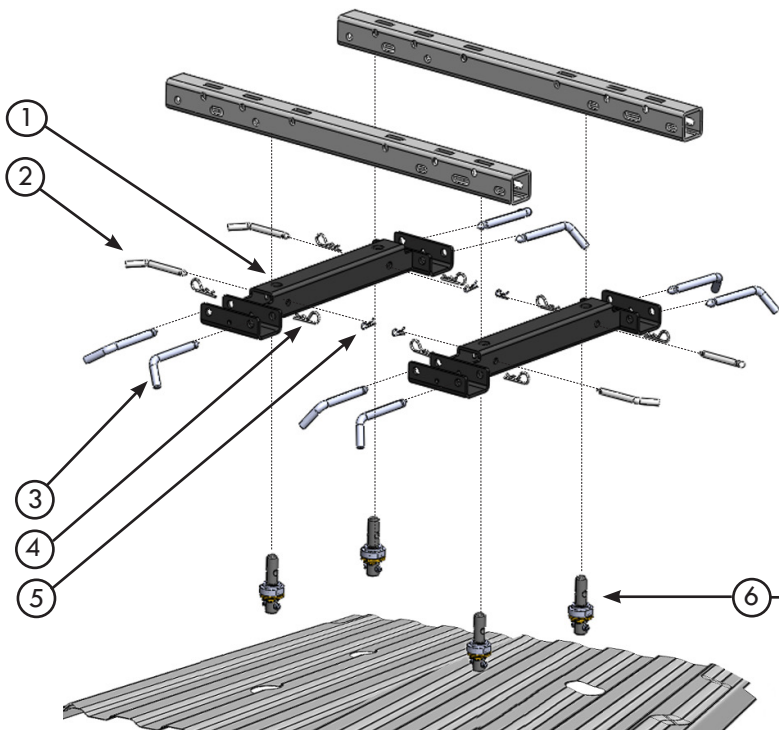
ADAPTER KIT EXPLODED VIEW & PARTS LIST

#4452 GM OE SERIES ADAPTER KIT

NO.	DISCRIPTION	PART NO.	QTY.
1	SUPPORT RAIL	44520101	2
2	BASE RAIL RELEASE PIN	08060001	4
3	STANDARD SHACK PIN	010019	8
4	#9 PIN CLIP	98410143	8
5	#3 PIN CLIP	98410127	4
6	MOUNTING POST ASSEMBLY	444204	4

#445204 MOUNTING POST ASSEMBLY (PRE-ASSEMBLED FROM FACTORY)

NO.	DISCRIPTION	PART NO.	QTY.
7	MOUNTING POST	44420401	4
8	MOUNTING POST NUT	44420402	4
9	MOUNTING WASHER	15070001	4



INSTALLATION

NOTE: Factory installed towing prep kits installed by the manufacturer are not perfectly square to the vehicle's frame and may not be parallel to the back of the cab. To account for these variations in manufacturing, our base rails include an obround hole on each end to account for these tolerances, but in rare cases, may not allow the hitch to fit into the base rails properly.

The basic steps of this installation is as follows:

- Install mounting post assemblies
- Install the base rails to the mounting posts
- Install your PullRite fifth wheel hitch

This adapter works with any PullRite ISR Series hitch or any other manufacturer's ISR-style hitch.

Detailed Installation Instructions

1. Insert a Mounting Post Assembly into each mounting post location (figure 1).
2. Rotate each Mounting Post Assembly 90° or give ¼ of a turn (figure 2).
3. Lightly tighten the Mounting Post Nuts down by hand, securing the posts into position (figure 3).
4. Place both Base Rail Side Supports onto the Mounting Posts in their correct orientation, and secure in place using the 1/2" hitch pins and pin clips (figure 4).
5. Place a Base Rail into each base rail Side Support (figure 5). (Note there is a set of round holes on one end of each base rail, and a set of obround holes on the other end. You should match both base rail orientations in the bed with the obround holes on the same side of the truck bed).
6. Place two Standard Shack Pins through each Base Rail Side Support and Mounting Post, and lock each base rail into place with a Pin Clip.
7. Set your fifth wheel hitch in the corresponding mounting locations and secure with 1/2" hitch pins and clips included with your hitch.
8. Hand tighten each Mounting Post Nut down firmly.

