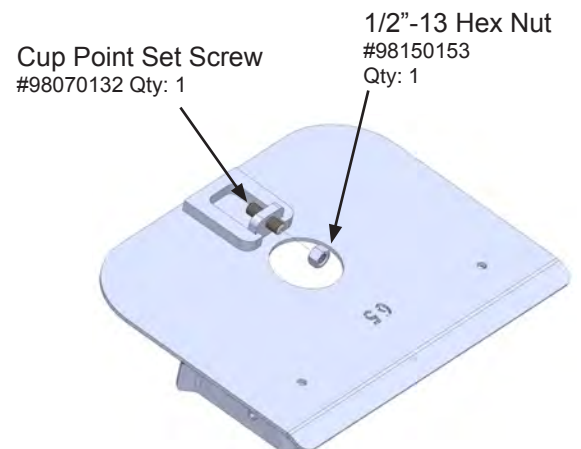
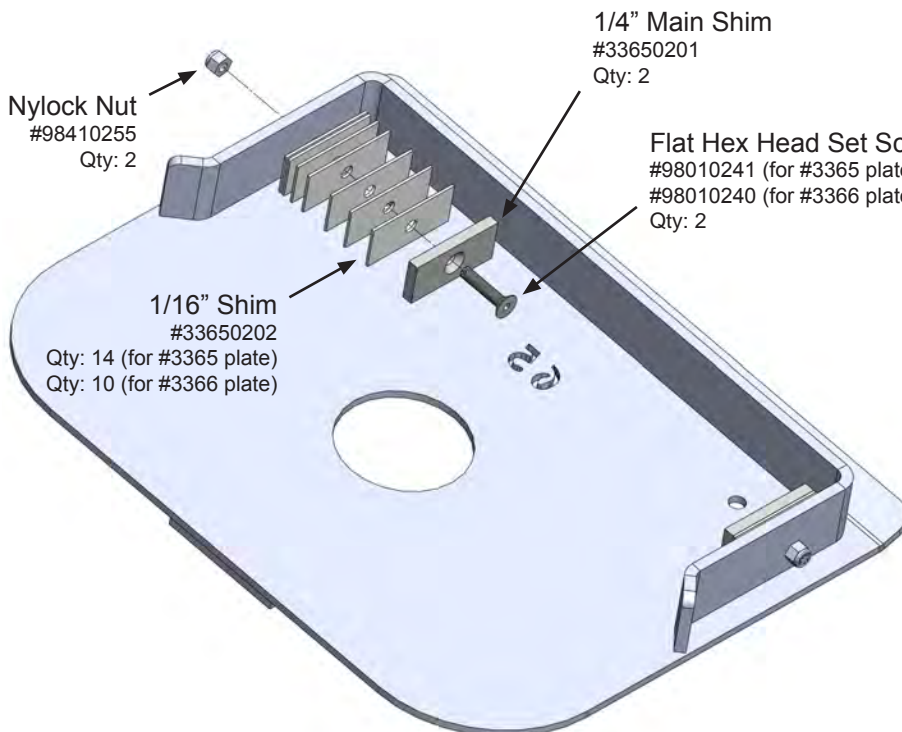




Quick Connect Capture Plates Multi-fit

Part #3365 / Hardware Kit # 336502 and Part #3366 / Hardware Kit #336602

1. Measure the width of the king pin box to determine the number and size of shims you will need. SEE REVERSE FOR INSTRUCTIONS ON MEASURING YOUR KING PIN BOX.
2. Insert the flat hex head set screw in the 1/4" adapter plate, using an equal amount of 1/16" shims on each side of the Capture Plate (#3365 pictured below) to fill the gap between the king pin box and the Capture Plate. (If you still have a little gap when you put the Capture Plate on the pin box, you can add only one extra shim on one side).
3. Insert the bolt through the hole in the side of the Capture Plate and tighten the nylock nut onto the bolt.
4. Insert the 1/4" socket set screw into the threaded hole of the Capture Wedge (point of screw toward the king pin hole) and place the nylock nut on the point side of the set screw (see underside view below).
5. Slide the Multi-fit Capture Plate onto the king pin of your trailer with the shims, capturing the front of your pin box.
6. Hold the Capture Plate tight against the bottom of the pin box's skid plate and tighten the set screw to the trailer's king pin, tightening the set screw nut up to the wedge to lock in place.



Underside View—#3365 shown
(same for both plates)



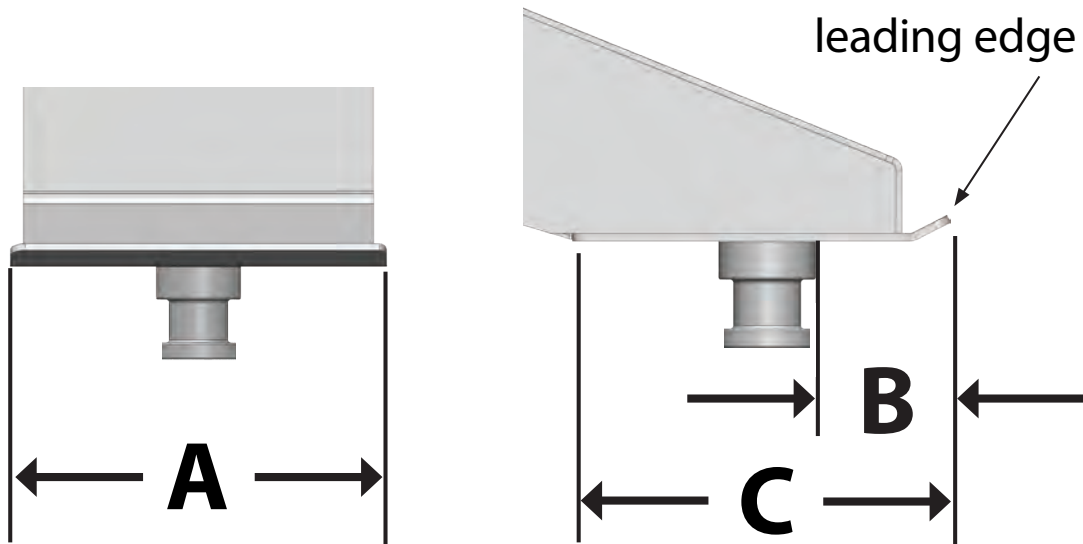
CAPTURE PLATE FIT CHART

(REQUIRED FOR ALL SUPERGLIDE HITCH FUNCTIONALITY)

Capture Plates are a required component of the SuperGlide hitch system. When the trailer is hooked up to the hitch, the Capture Plate's wedge isolates the king pin from turning in the fifth wheel plate, causing the Cam Assembly to activate and allowing the SuperGlide to move as turns are being made. Most applications slip over the king pin and are held in place by a set screw. Follow the instructions below to determine your correct Capture Plate.

To ensure correct fit, make the necessary A, B and C measurements:

- A:** Measure the king pin plate from side-to-side. This is the most important measurement. Be sure that this measurement is no more than 1/16" less than the measurement listed in the column below.
- B:** Measure from the leading edge of the king pin to the leading edge of the king pin plate.
- C:** Measure from the rear edge to the leading edge of the king pin plate



CAPTURE PLATE Sizing Chart

			Measurement A	Measurement B	Measurement C
Multi-fit Capture Plate	3365	(see measurements)	12-3/4" through 13-1/2" and 14"	2-9/16" — 4"	ALL
Multi-fit Capture Plate	3366	(see measurements)	12, 12-1/4", 12-3/4"	5-3/16" — 6-5/8"	ALL