



OWNER'S MANUAL



#4715 #4815 #4915

OEX Series Fifth Wheel Hitch (25K)

- #4715 for 2010 to present model Ford trucks**
- #4815 for 2013 to present model Ram trucks**
- #4915 for 2020 to present model GM trucks**

Gross Trailer Weight (Maximum) 25,000 lbs.
Vertical Load Weight (Max. Pin Weight) 6,000 lbs.

The following instructions provide valuable information regarding the function and proper use of the SuperLite OEX Fifth Wheel Towing System.

YOU MUST COMPLETELY READ THE INSTRUCTIONS WITHIN THIS MANUAL, PRIOR TO OPERATING THE HITCH TO PREVENT UNNECESSARY DAMAGE TO THE HITCH, VEHICLE, OR TRAILER.

For more information, please call PullRite at (800) 443-2307.

TABLE OF CONTENTS

SYSTEM WEIGHT RATING VS. COMPONENT WEIGHT RATING.....	3
CAB CLEARANCE.....	3
BASE MODELS.....	4
SUPERLITE COUPLER KIT.....	5
LUBRICATION / ANNUAL MAINTANANCE.....	6
KING PIN ADAPTER INSTALLATION.....	7
OEX OFFSET OPTIONS.....	8
FRONT TO BACK FUNNEL ADJUSTMENTS.....	9,10
HEIGHT ADJUSTMENT.....	11
HITCH INSTALLATION.....	12,13
MOUNTING POST ADJUSTMENTS.....	13
HITCHING.....	14
SAFETY CHECKS PRIOR TO TOWING.....	14
UNHITCHING / CHALLENGE VS SOLUTION.....	15
ROTA-FLEX PINBOX RUBBER ISOLATOR.....	16
TORQUE TABLE.....	17
#4715 EXPLODED VIEW / PARTS LIST.....	18,19
#4815 EXPLODED VIEW / PARTS LIST.....	20,21
#4915 EXPLODED VIEW / PARTS LIST.....	22,23
YEAR LIMITED WARRANTY.....	i
PRODUCT REGISTRATION.....	ii

SYSTEM WEIGHT RATING VS. COMPONENT WEIGHT RATING

A towing system includes each vehicle and component involved in towing. Each item in your towing system has a capacity or weight rating. Your trailer has a Gross Vehicle Weight Rating or GVWR. Your truck has a towing capacity, a payload capacity, and possibly more. In addition, your fifth wheel hitch has a weight rating. This weight rating must be at, or above, the GVWR of your trailer for you to tow safely. In addition, if your truck can tow larger loads (has a larger capacity) than the rating of your hitch, your system is only safe to tow loads at the lower rating, that of the hitch.

Your OE puck mounting system will also have a weight rating, just like your fifth wheel hitch. Many times, these ratings are designed to match, but this is not always the case. Your OE puck mounting system may be higher rated than your fifth wheel hitch, but it also could be lower depending on the components involved. The lowest rating of any one component in the system becomes the rating of the entire system. If your system is rated to 18,000 lbs., and your hitch is rated at 24,000 lbs., the weight rating of the entire system will not be above 18,000 lbs. Other components in the system could lower the actual system rating further.

It is the end users responsibility to ensure a safe towing experience. To this end, it is your responsibility to ensure that the truck, trailer, hitching components, and all other items involved are rated or have a capacity sufficient for the loads involved.

CAB CLEARANCE

If you are towing with a short bed truck, you may be aware that adequate cab clearance is needed for sharp angle turns and damage to the truck cab could occur if the clearance is not calculated correctly.

This formula is a guide for checking clearance: (cab to axle) - (half of trailer width) = cab clearance.

Here are a few examples:

BED LENGTH	CAB-TO-AXLE DIST.	CAB-TO-TRAILER CLEARANCE
8 ft.	56"	$56'' - 48'' = 8''$ of cab clearance
6 ft.	40"	$40'' - 48'' = -8''$ negative cab clearance
5-1/2 ft.	28-1/4"	$28.25'' - 48'' = -19.75$ negative cab clearance

As you can see, an 8 ft. bed truck provides more clearance than needed, whereas a 6 ft. bed truck does not allow for a full 90 degree turn and does not provide sufficient cab clearance by 8 inches. Not ideal, but manageable provided you watch your tighter turns. The 5-1/2 ft. bed truck provides even less cab clearance.

If towing with a truck bed that is 6 ft. or less, you must take into consideration that most hitch installations are located ahead of the truck axle, which in turn reduces the trailer to cab clearance. This hitch will provide a maximum of 7 inches of rearward offset to the trailer king pin. This additional offset may or may not return the king pin back to the center of the axle. Depending on the funnel install location, the offset could move the king pin behind the truck's rear axle.

While the SuperLite OEX can be used with these shorter bed trucks, keep in mind that PullRite only recommends the use of a slider type hitch for any towing application without 100% cab clearance.

BASE MODELS

The SuperLite OEX is available for Ford, Ram, and GM trucks with OE hitch mounting system (years listed below).

NOTE: This manual uses the #4715 as an example for instruction, however all bases listed below are similar in function.



#4715 for FORD 2010-Present

Hitch Base **#4730**
SuperLite coupler kit **#4810**

25K Tow rating

85 lbs.



#4815 for RAM 2013-Present

Hitch Base **#4830**
SuperLite coupler kit **#4810**

25K Tow rating

100 lbs.



#4915 for GM 2020-Present

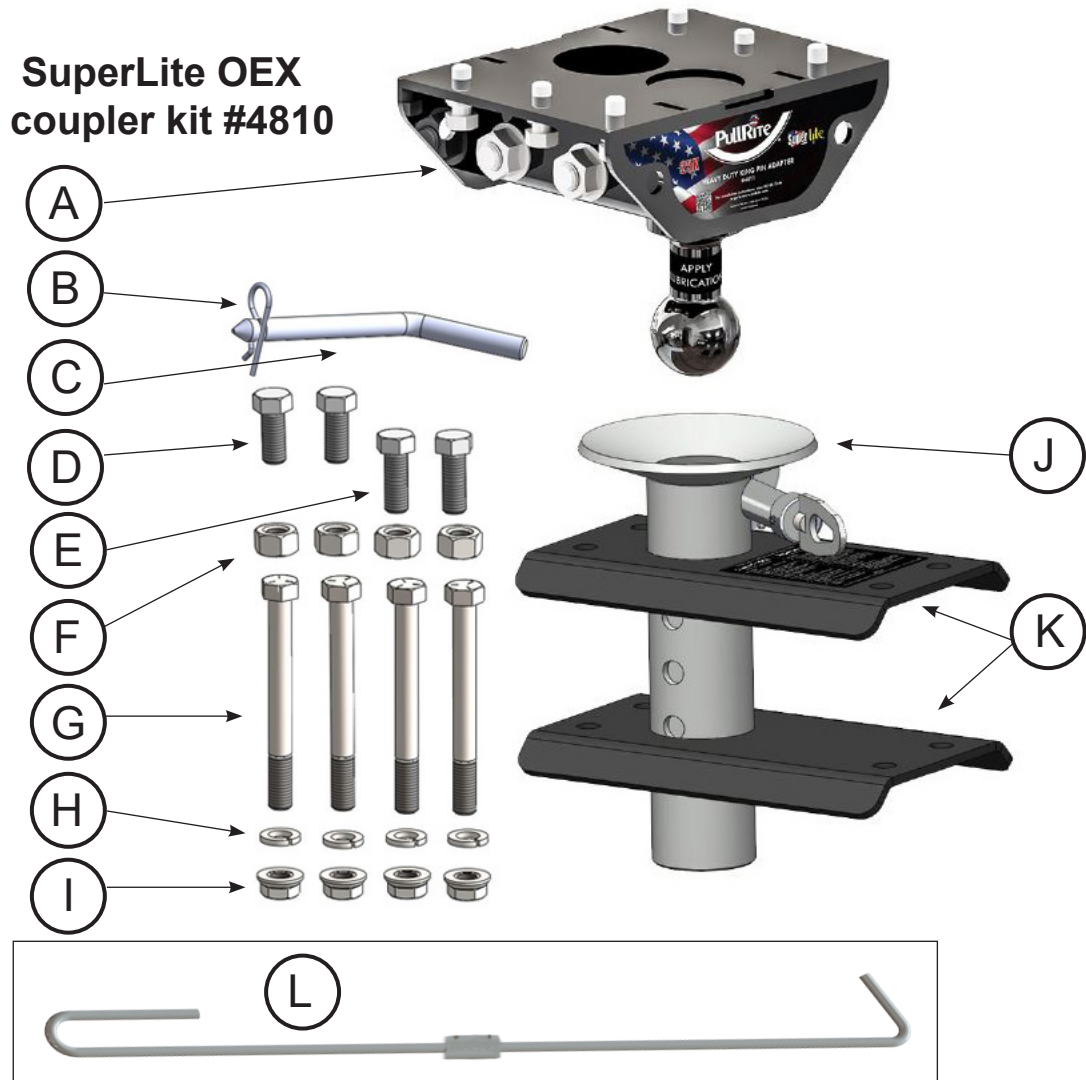
Hitch Base **#4930**
SuperLite coupler kit **#4810**

25K Tow rating

78 lbs.

SUPERLITE COUPLER KIT #4810

All model hitches with the SuperLite OEX coupling method use the same hardware kit as shown below.



A	HD KINGPIN ADAPTER ASSEMBLY	4811	1
B	# 9 PIN CLIP	98410143	1
C	5/8" DIA. X 4" HITCH PIN	010019	1
D	5/8"-11 X 2" TAP BOLT	98010219	2
E	5/8"-11 x 2 1/2" TAP BOLT	98010220	2
F	5/8" - 11 HEAVY HEX NUT	98150176	4
G	5/8"-11 X 6" HEX CAP SCREW	98010304	4
H	5/8" LOCK WASHER	98200133	4
I	5/8"-11 SERRATED FLANGE NUT	98150200	4
J	FUNNEL ASSEMBLY	4813	1
K	SUPERLITE OEX FUNNEL PLATES	48142001	2
L	SUPERLITE OEX RELEASE HANDLE	4812	1

LUBRICATION

DO NOT OPERATE HITCH UNTIL YOU READ THIS SECTION!

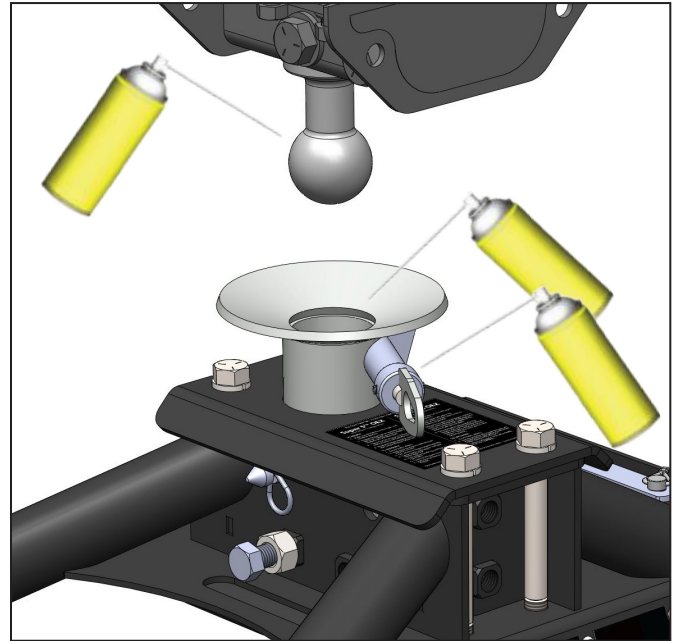
KING PIN ADAPTER BALL & FUNNEL

The King Pin Adapter Ball, Funnel and Latch Pin must be lubricated before each trip or as needed. PullRite recommends using a dry graphite spray to prevent the attraction of dust and debris. A light wet lubricant such as WD-40 can also be used, but the two types of lubricants should not be used together.

Be sure the Funnel assembly is free of any obstructions prior to lubrication and before each use. Spray the funnel to aid in hitching up.

When lubricating the Latch Pin using a dry graphite spray, place the Latch Pin in both closed and open positions to cover the spring and pin effectively. If using a wet lube, pull the Latch Pin repeatedly between the open and closed positions, so the lubricant is evenly spread among the moving parts.

Be sure the King Pin Adapter Ball is clean and free from rust. A light coating of lubricant should be used before each trip or as needed.



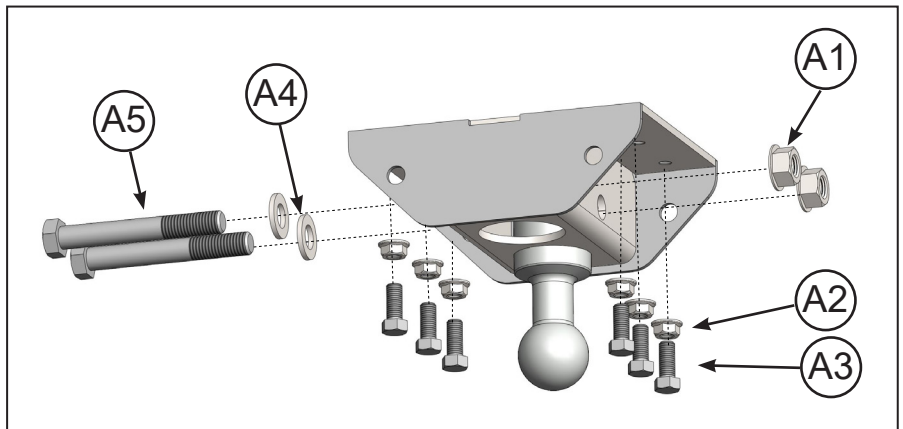
ANNUAL MAINTENANCE

Inspect all hitch hardware to verify that it is securely fastened. Inspect set screws and bolts for tightness and general condition. When storing your SuperLite hitch, you should be sure that the Funnel and hitch parts are lubricated with WD-40, or dry lube. Cover the entire assembly to prevent accumulation of dirt, grime, and rust.

KING PIN ADAPTER INSTALLATION

1. Verify that the king pin is clean and free of burrs before installing the King Pin Adapter. Remove any burrs with a flat file. If you are having fit issues, see “Challenge vs. Solution” on page 15.

2. Slide the King Pin Adapter over the king pin and insert the Adapter Plate Bolts {A5} with Flat Washers {A4} horizontally through the smaller cross hole nearest the hitch ball (right). Hand tighten with the 3/4"-10 Flange Nut {A1}.



3. The adapter can be installed with the hitch ball offset in two positions, either ahead or behind the king pin. Determine the position you would like installed (see page 8 for details); placing the hitch ball ahead of the king pin will add additional cab clearance during tight turns, but does not guarantee total cab clearance for short bed trucks. Likewise, placing the ball behind the king pin will reduce the trailer-to-cab clearance. Orient the King Pin Adapter appropriately and make sure it's aligned parallel with the king pin box.

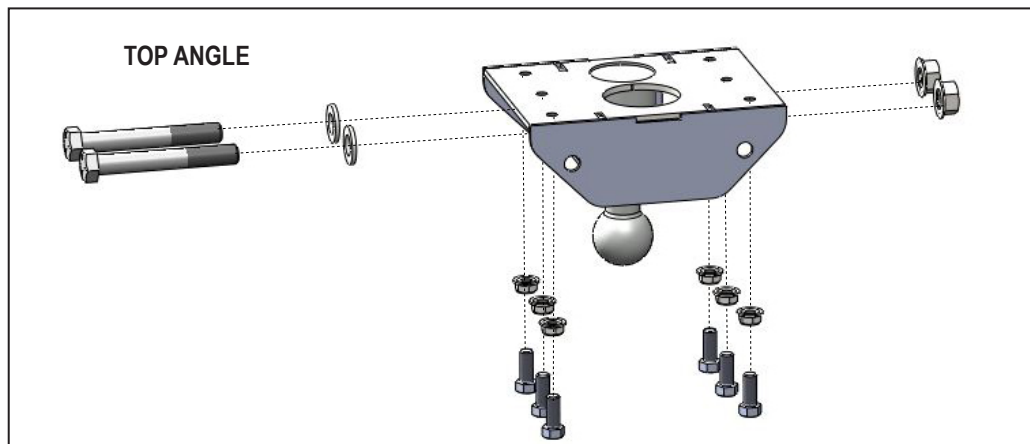
4. Tighten the (6) Adapter Plate Set Screws {A3} evenly with a 1/2" socket, and torque to 75 ft. lbs. The gap between the King Pin Adapter and the king pin box's skid plate may be uneven due to several conditions, e.g., concave or convex skid plate or a skewed king pin.

5. Tighten the (6) 1/2" Flange Nuts {A2} until tight (approximately 75 ft. lbs.).

6. Torque both Adapter Plate Bolts {A5} installed in Step 2 to 75 ft. lbs.

7. Should you want to change the position of the adapter, it should only be necessary to loosen the Flange Nuts {A2} and Adapter Plate Set Screws {A3}, and rotate the Adapter Plate on the king pin. Loosening the remaining hardware should not be necessary most of the time.

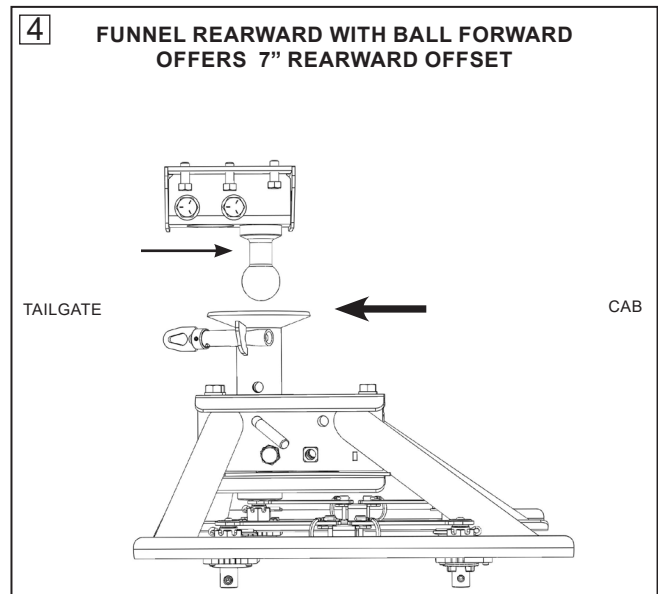
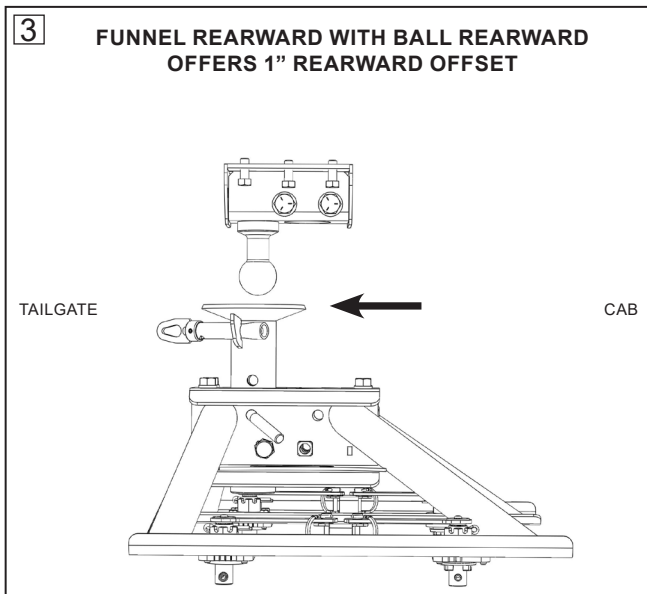
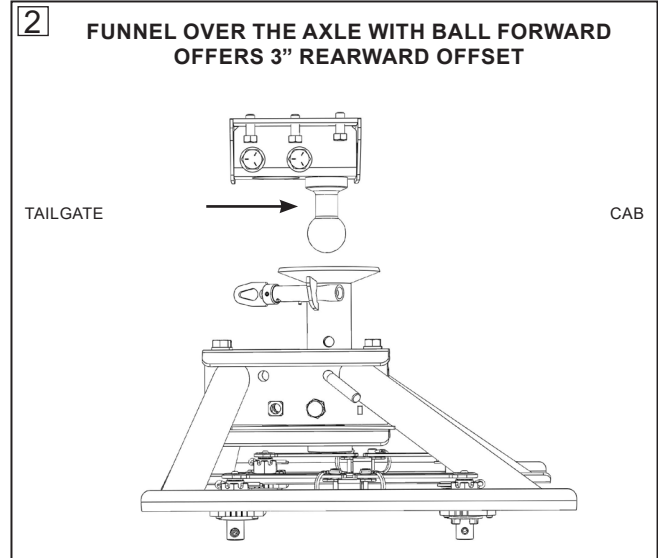
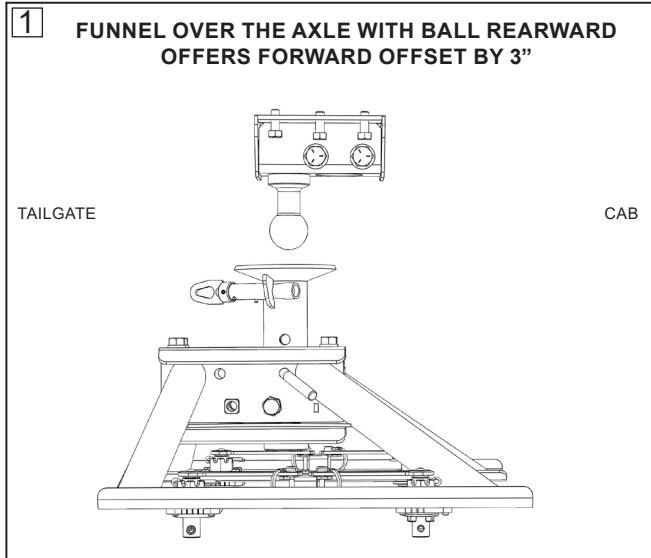
NOTE: It is important that you check the tightness of the adapter set screws often, as they can begin to work themselves loose over a period of time from the normal stresses of towing.



OEX OFFSET OPTIONS

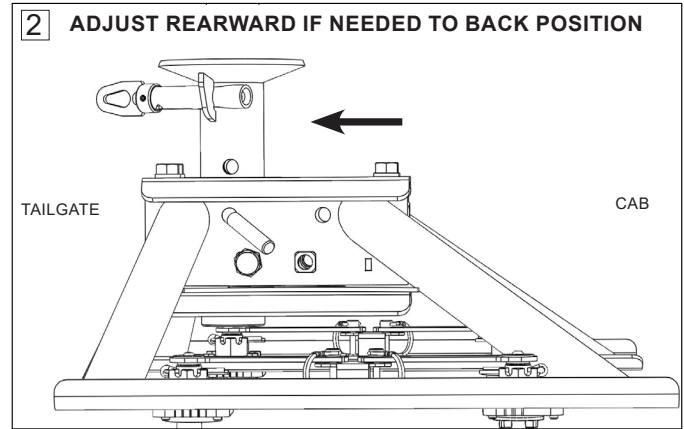
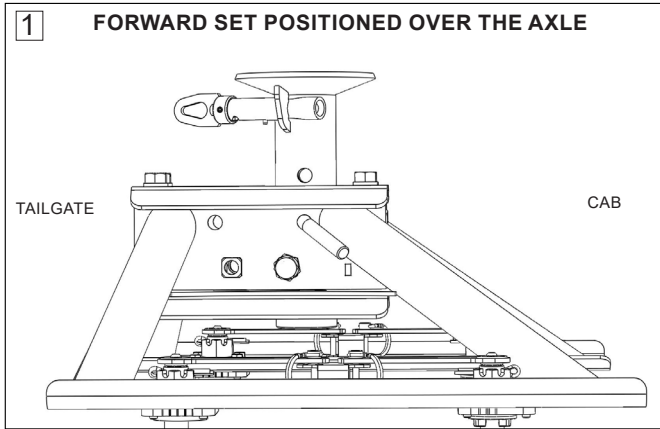
All SuperLite OEX hitches are adjustable front to back and can place the funnel behind the axle, along with the adjustments of the heavy duty pin box adapter, the OEX can allow up to 7" of rearward offset (Fig.4).

The OEX has four settings for towing to get the offset desired for more turning clearance.

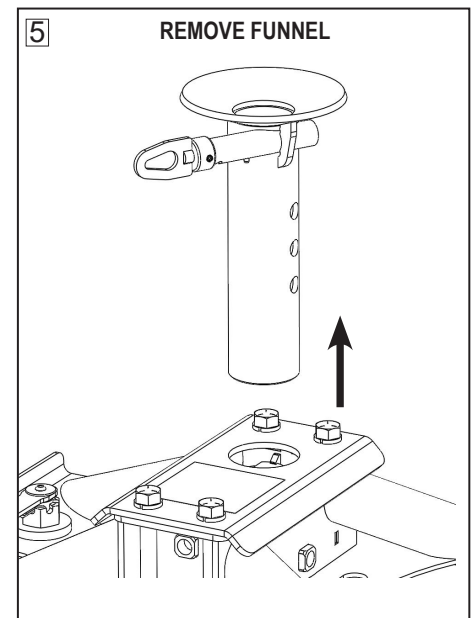
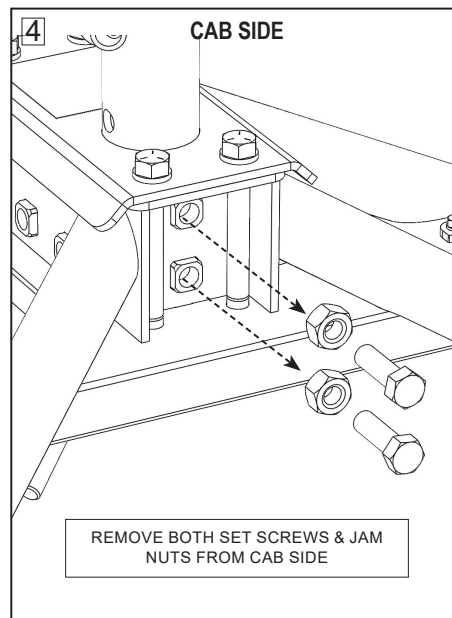
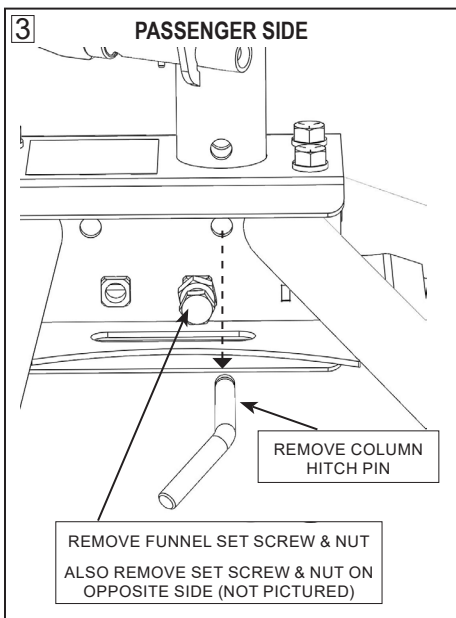


FRONT TO BACK FUNNEL ADJUSTMENT

All SuperLite OEX hitches are adjustable front to back and can place the funnel behind the axle, allowing up to 7" of rearward offset. The OEX forward position is in Figure 1, but if you find the best position for towing is with the funnel closer to the tailgate (Fig. 2). Follow the steps listed below.



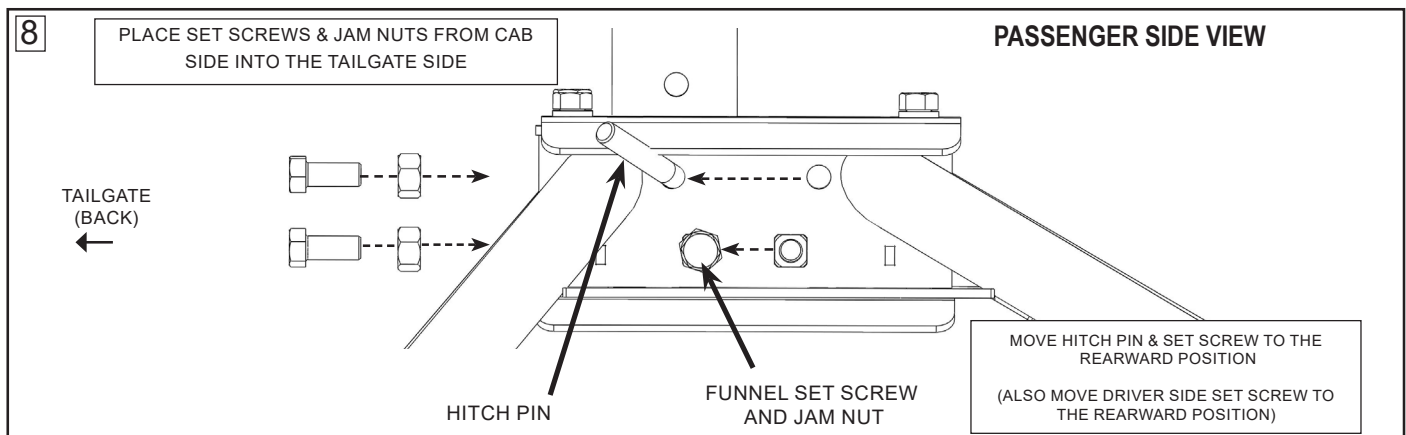
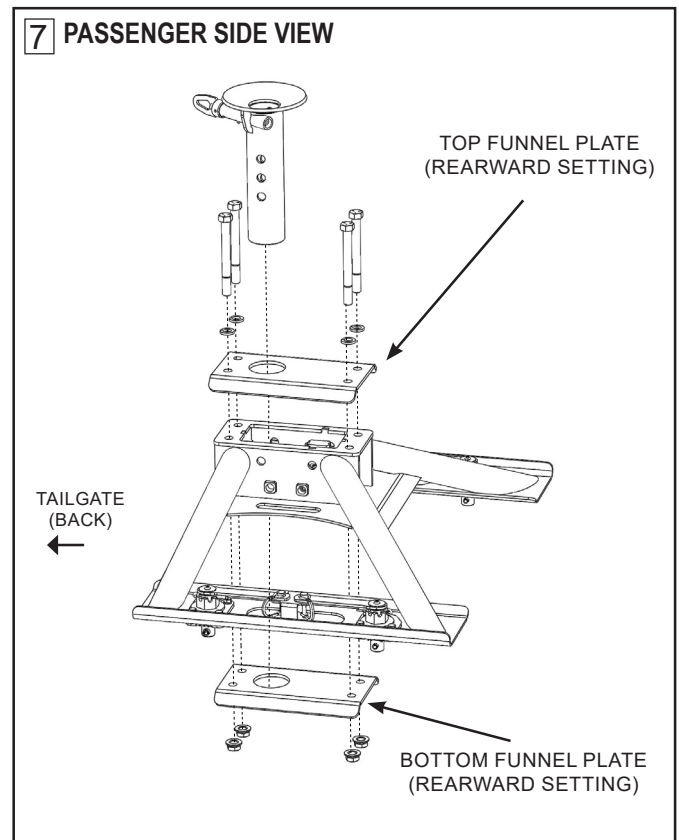
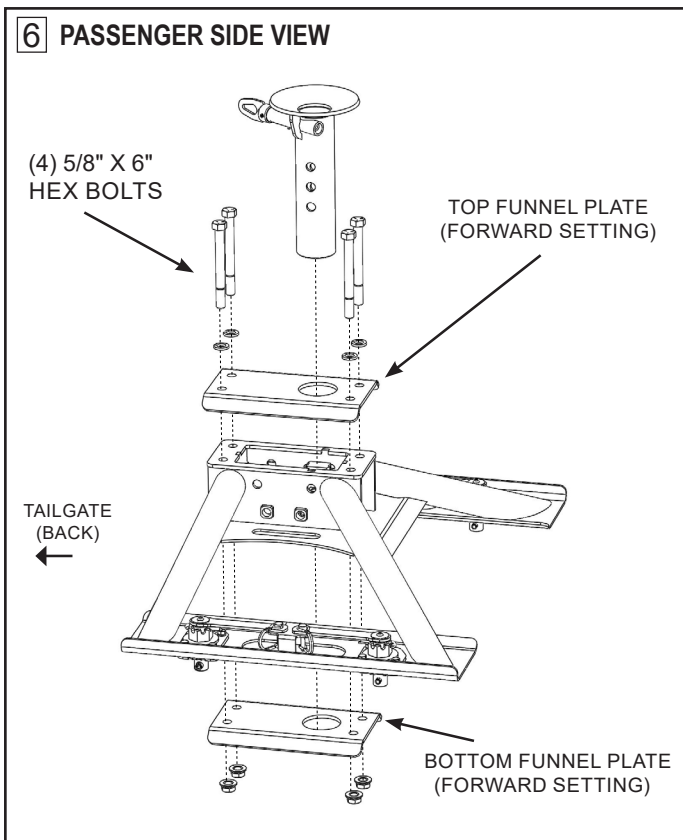
1. Remove the funnel by removing the funnel set screws & jam nuts from the driver side, passenger side, and cab side (Fig. 3 & 4).
2. Remove the funnel hitch pin and clip (Fig. 3).
3. Remove funnel (Fig. 5).



continues next page

FRONT TO BACK FUNNEL ADJUSTMENT

6. Remove the (4) 5/8" X 6" hex bolts holding the funnel plates (Fig.6).
7. Turn the top and bottom plates to the rearward position (Fig.7).
8. Replace the (4) 5/8" X 6" hex bolts and (4) 5/8 nuts and set the funnel through both plates in the rearward position. Place funnel hitch pin through the height adjustment hole into desired height position. Tighten bolts to 45 foot pounds.
9. Place the funnel set screw and jam nut to the rearward position on both passenger side and driver side (Fig. 8). Also place the (2) funnel set screws and jam nuts from the front (cab side) to the back (tailgate side).
10. Tighten the set screws to 20 foot pounds and tighten the jam nuts to 20 foot pounds.



HEIGHT ADJUSTMENT

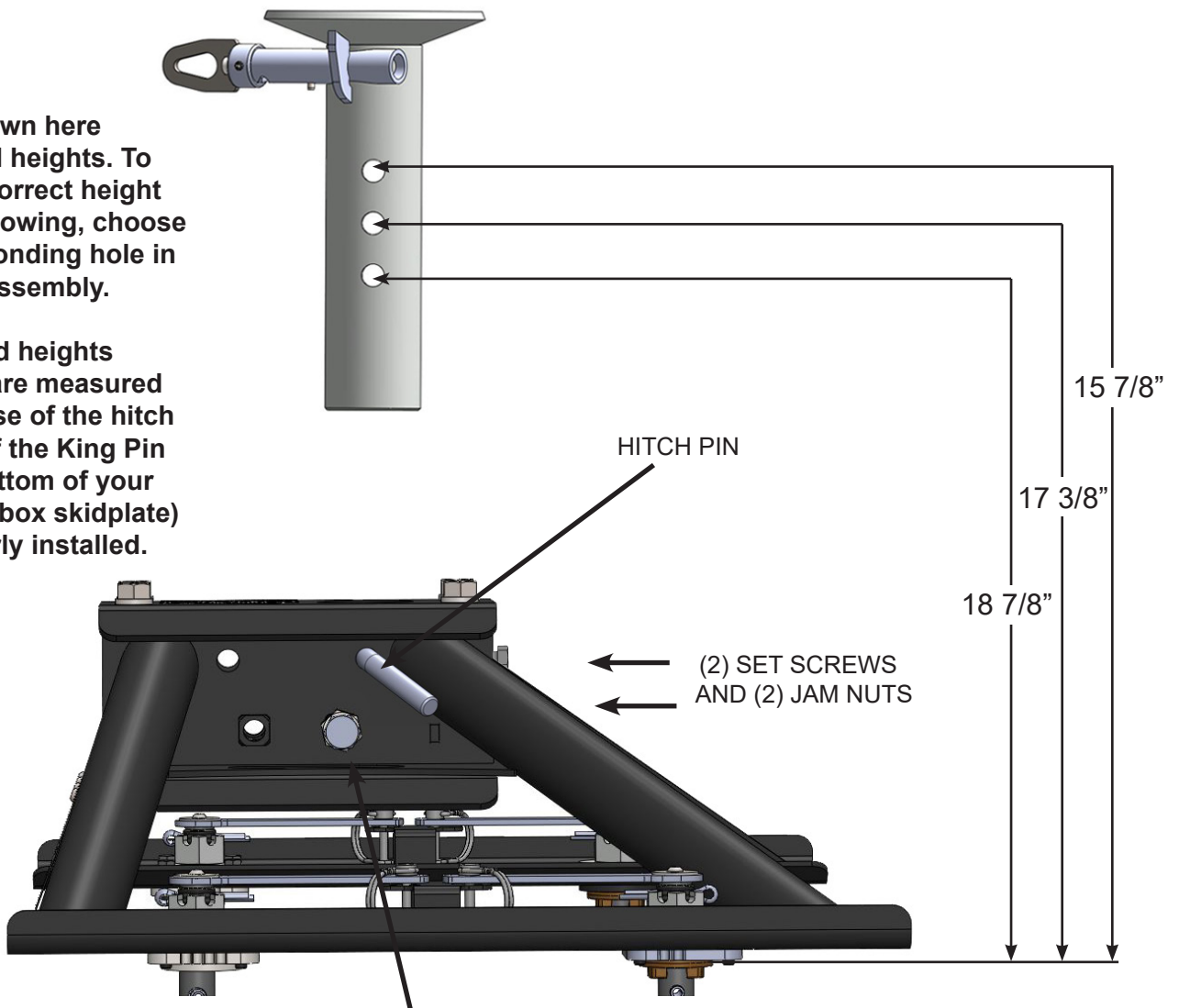
The SuperLite OEX is height adjustable and can be set at three positions. Refer to the illustration below and follow each step below to adjust the height of your hitch:

1. Loosen the two Funnel jam nuts as well as the two bolts on the passenger side and driver side. It is not necessary to remove the bolts, just back out about two complete turns or until the funnel is loose in the base.
2. Remove the hitch pin and clip and adjust funnel assembly to the desired height.
3. Re-pin and clip.
4. Torque the (4) set screws first to 45 foot pounds, then tighten the jam nuts to 45 foot pounds as well.

CAUTION: *Over-tightening these set screws could cause damage to the base. Always torque properly.*

Heights shown here are installed heights. To obtain the correct height needed for towing, choose the corresponding hole in the funnel assembly.

The installed heights listed here are measured from the base of the hitch to the top of the King Pin Adapter (bottom of your trailer's pin box skidplate) once properly installed.



SET SCREWS AND JAM NUTS HERE AND OPPOSITE SIDE

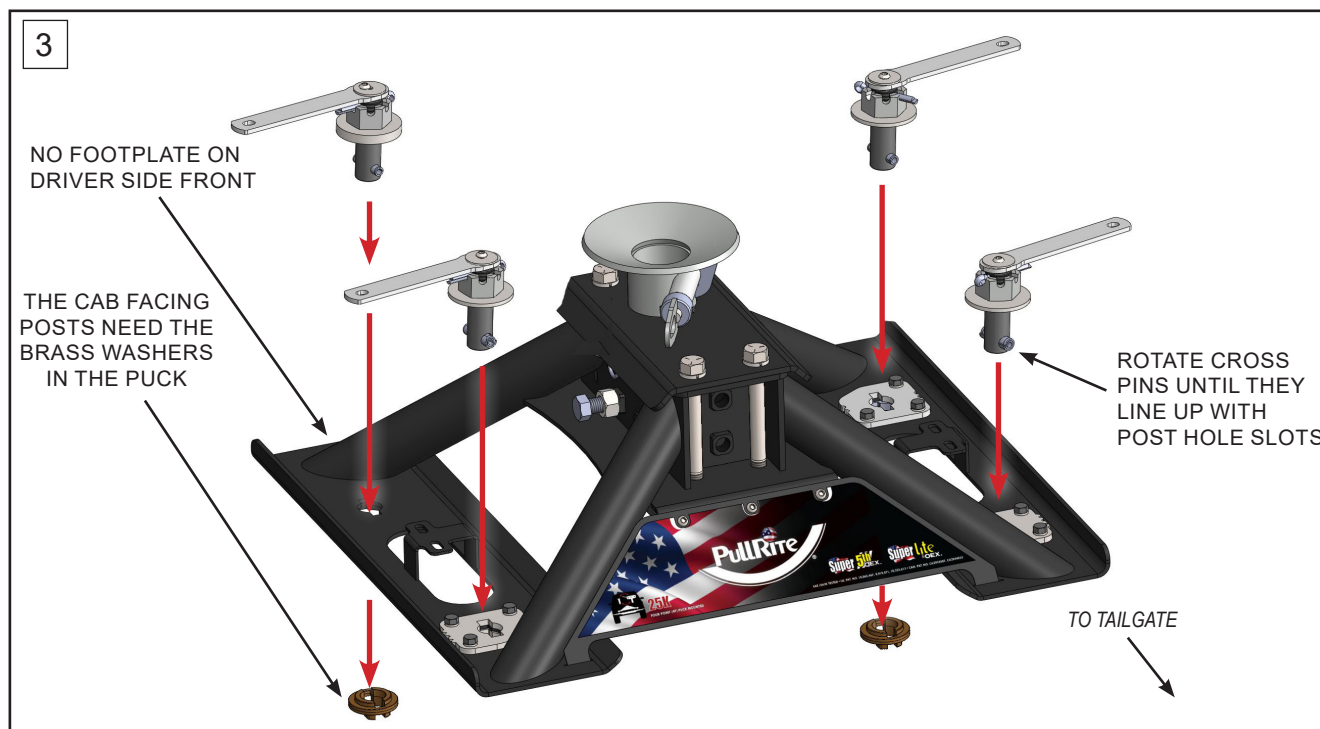
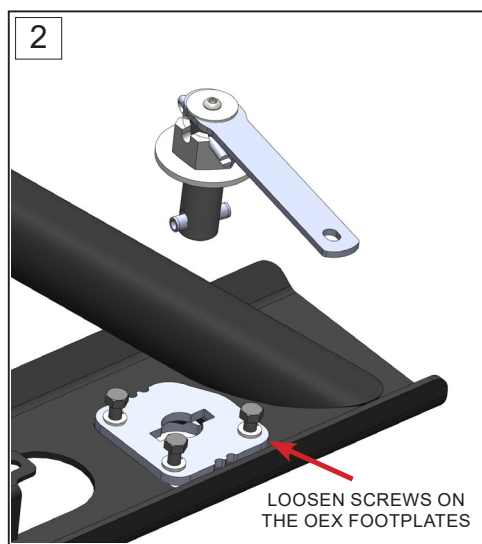
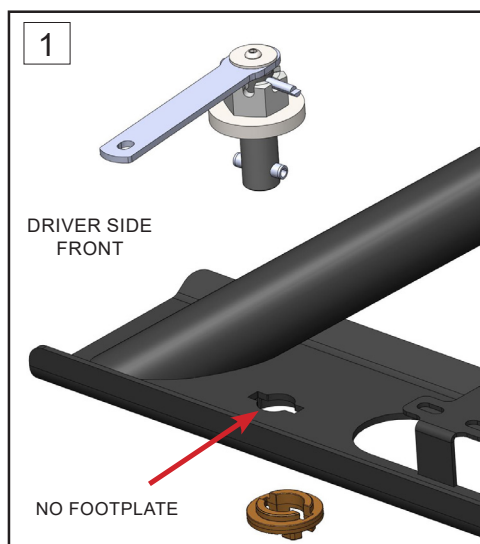
HITCH INSTALLATION

Place the OEX post holes directly over the pucks, the cover plate should be facing the tailgate. You will be able to adjust OEX foot plates so that each Mounting Post drops into place as you go around the hitch.

1. The OEX foot on the driver side front does not have an adjustment plate, this is where to start inserting the Mounting Posts (Fig.1). Work clockwise over to the front passenger side post and on around hitch.
2. Slightly loosen the Mounting Post adjustment plates so that the plate moves freely on the OEX foot as seen below (Fig.2).

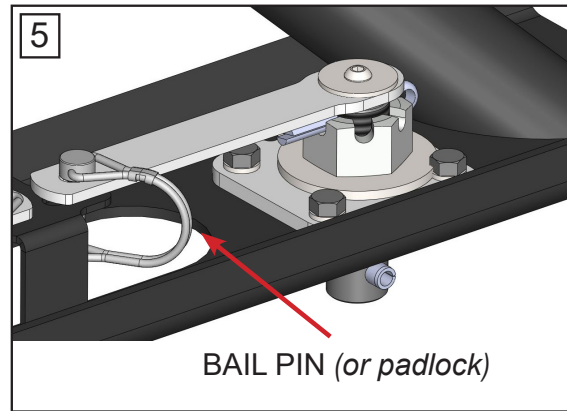
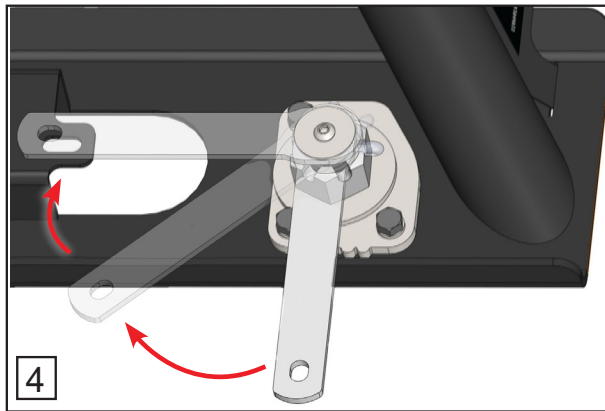
Note: The front posts (cab side) have smaller cross pins than the rear posts (tailgate side) and require brass washers placed in the puck (Fig. 3).

3. Insert each Mounting Post assembly handle into the hitch by aligning the post's Cross Pins in line with the post hole slot cut in the OE foot as seen below (Fig.3)



HITCH INSTALLATION

4. Rotate handles 90° (Fig. 4), posts may need to be adjusted as explained below in MOUNTING POST ADJUSTMENTS.
5. After Inserting and locking all posts (Fig. 4), tighten the adjustment plates on the OEX feet to 13 foot pounds.
6. Slide bail pins in through each lock tab and handle (Fig. 5). A padlock can also be used here to help prevent theft.
7. Repeat these steps for the remaining adjustment plates and post assemblies.



MOUNTING POST ADJUSTMENTS

If the SuperLite OEX is loose on the Mounting Washer or the Mounting Post will not rotate while seated in the Puck, the Mounting Post is in need of adjustment. To adjust the Mounting Post, perform the following:

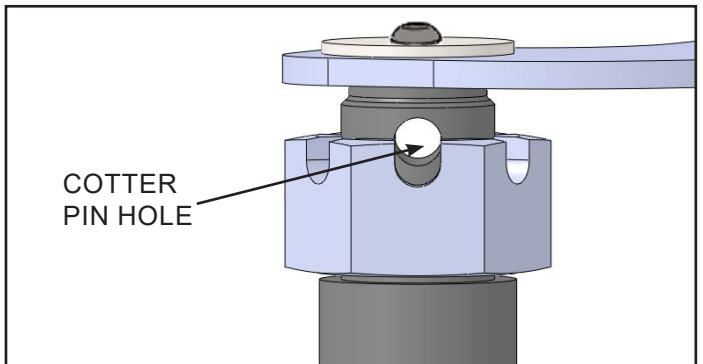
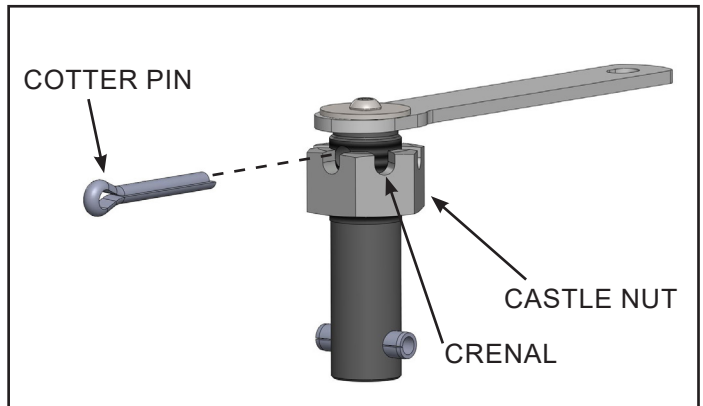
1. Remove the Cotter Pin from the Mounting Post Assembly.
2. Rotate the castle nut open until it is near the handle and then insert the assembly through the opening in the hitch base into the puck and rotate the handle to the closed position. Next, lift up on the handle so that the top of the cross pin touches the bottom of the puck. Thread the nut down until it bottoms out against the hitch base.

Rotate the handle open and closed to test the tightness:

-If the handle rotates with too much difficulty, then back off the castle nut one crenal and try it again.

-Likewise, if the handle rotation is too easy, rotate the castle nut one additional crenal. Keep repeating this action until you have a snug fit.

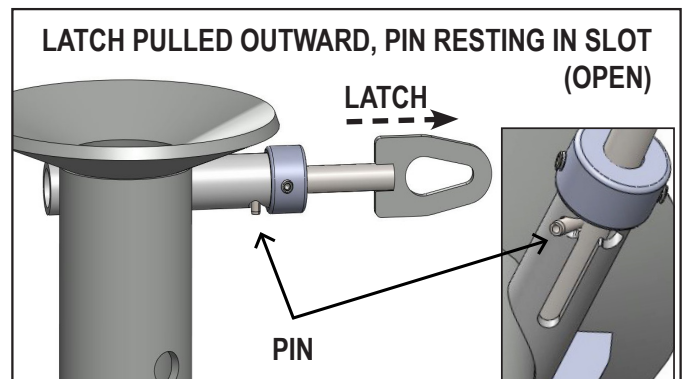
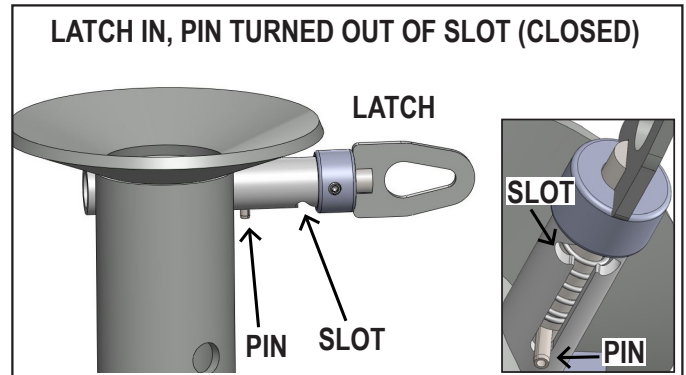
3. Once you have a snug fit, remove the post assembly and insert the cotter pin. Bend the end of the cotter pin to secure the nut in the chosen position.
4. Re-latch the Mounting Handles as shown on the HITCH INSTALLATION section above.



HITCHING

WARNING: *Never perform any of the following actions while any part of a person is between the vehicle and trailer.*

1. Verify that the Latch is pulled outward and rotated (left or right) into the latched open position (right). Damage could result should you attempt to hook up with the latch pin in the closed position.
2. Raise or lower the trailer landing gear high enough to raise the ball above the top of the funnel.
3. After lowering your truck tail gate, back the truck under the king pin adapter to orient the ball above the funnel (make sure there is space to completely back your truck into hitching position with the tailgate down). It is not necessary to be completely centered over the funnel coupler, as long as the center of the ball is inside the diameter of the funnel. The ball should slide toward the coupler tube when the trailer jacks are retracted.
4. Lower the trailer landing gear so the ball drops into the hitch funnel. The ball must be fully seated in the funnel to allow the latch to close properly.
5. Once the weight of the trailer is supported by the tow vehicle, use the Remote Latch Handle to rotate the latch so that the pin retracts into the locked position. Do not forget this step.

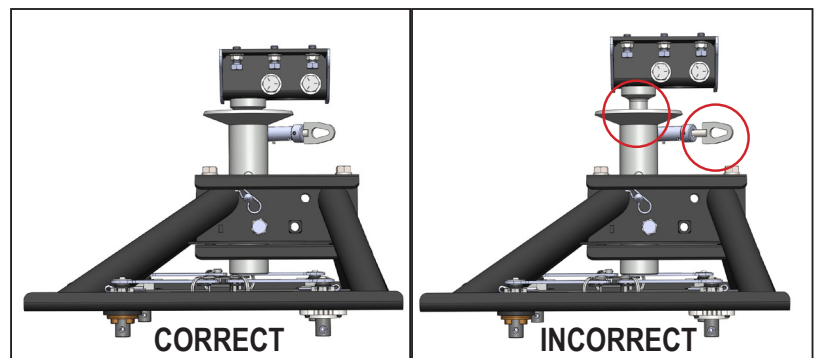


SAFETY CHECKS PRIOR TO TOWING

1. Prior to towing, it is imperative to know if are hooked up and the Latch Pin is engaged:

- First, check the height of the King Pin Adapter; if seated properly below the Latch Pin, it will sit at the correct height (top left). If it's sitting higher than it should, you've either not lowered your trailer enough, or it's sitting on top of the Latch Pin inside the funnel.

- Second, check the Latch Pin. If it is pulled outward in the open position, you've not secured the Latch Pin over the ball of the King Pin Adapter (top right).



2. Raise the trailer jack base plates just above the ground, lock your trailer brakes, then pull the tow vehicle slowly forward putting a strain on the trailer.
3. When you are assured that the trailer is safely hooked up, raise your trailer jacks into their fully retracted position.

FAILURE TO PERFORM THESE SAFETY CHECKS MAY RESULT IN DAMAGES TO TRUCK AND TRAILER.

UNHITCHING

WARNING: *Never perform any of the following actions while any part of a person is between the vehicle and the trailer.*

1. Once you have the trailer located and are ready to unhitch, block the trailer wheels so it will not roll back or forward.
2. Pull the Latch Pin towards the rear of the vehicle and rotate either clockwise or counterclockwise into the slotted opening as you did in the “Hitching” section. The Latch Pin must be retained in the open position to release the adapter ball from the funnel.
3. Extend the trailer jacks until the ball is fully removed from the funnel and above the top of the funnel opening.
4. After lowering the truck’s tailgate, disconnect the trailer’s electrical cord and break-away switch cable, then pull forward.

CAUTION: *If it should be necessary to reposition your trailer, you must follow the hitching procedures to ensure the hitch is latched in the funnel before moving the trailer.*

CHALLENGE VS. SOLUTION

CHALLENGE	SOLUTION
Cannot open the Latch Pin.	Should only be restricted if trailer is applying pressure to the pin. Raise trailer jacks to relieve ball pressure against pin.
My King Pin Adapter isn’t fitting well over the king pin.	Paint or “crud” build-up on the upper flange of the king pin (particularly near the junction of the king pin and skid plate), bent, skewed, or king pins that are too long or too short can cause a poor fit. Contact PullRite’s Customer Service Dept. at (800) 443-2307 and we will give you suggestions what you can do to correct these problems.
Trailer overhang is hitting the truck bed rails when the trailer and truck are at sharp angles.	Raise or lower the hitch funnel height and/or lower the king pin box. There should be at least 6” between the top of the bed rails and bottom of the trailer.
The Latch Pin mechanism seems too stiff to operate.	Spray the Latch Pin mechanism with WD-40. Work the handle until it slides freely. If the problem persists, you may need to degrease and re-lube all working parts.
I need to have a professional evaluate my SuperLite OEX.	Contact PullRite’s Customer Service Dept. at (800) 443-2307. Your needs will be assessed and resolved by PullRite or you will be directed to an authorized PullRite Service Center.

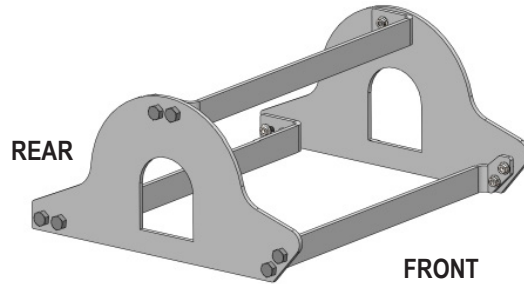
ROTA-FLEX PINBOX RUBBER ISOLATOR

In the case that you use a Rota-Flex pinbox or similar design, the rubber block inside the pinbox has a tendency to work its way out of place while towing with the SuperLite OEX hitch. PullRite's Pinbox Rubber Isolator (Part # 4447) restricts and keeps the rubber block in place. *SOLD SEPARATELY.*

#4447 PINBOX RUBBER ISOLATOR KIT

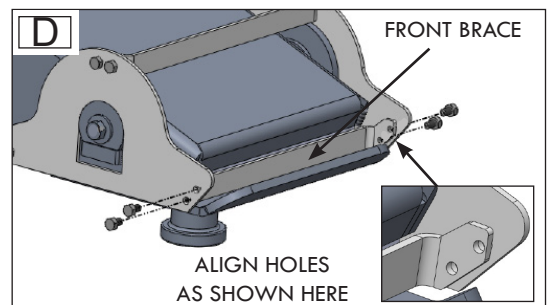
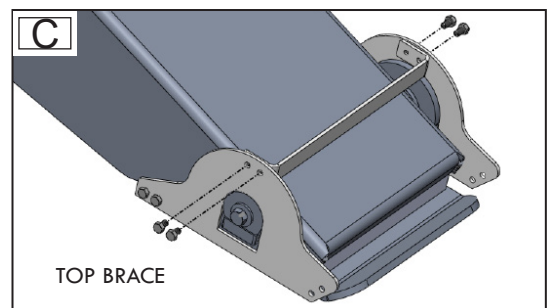
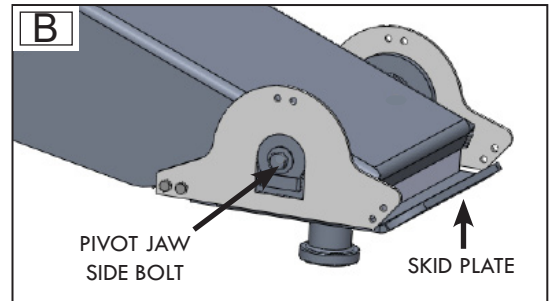
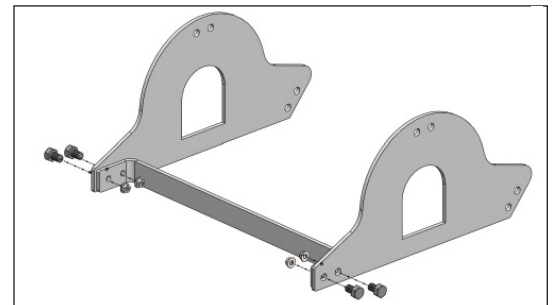
INCLUDES:

- 1 - FRONT BRACE
- 2 - REAR / TOP BRACE
- 2 - SIDE PLATES
- 12 - 5/16-18 X 1/2 INCH BOLTS
- 12 - 5/16-18 SERRATED FLANGE NUTS

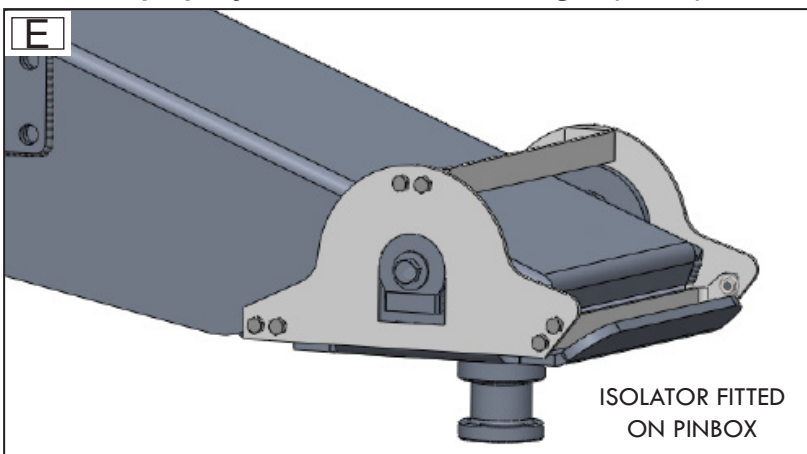


#4447 KIT INSTRUCTIONS

1. Bolt the REAR BRACE to the inside of both SIDE PLATES as shown {fig. A}, and fasten using (4) 5/16-18 X 1/2 inch bolts and (4) 5/16-18 serrated flange nuts.
2. Take the assembled parts from line 1 {fig.A}, and hook the unit under the pinbox and on top of the skid plate behind pivot jaw. Pull unit in toward the front of the Rota-Flex until the SIDE PLATE cutouts are over the side bolts and fixtures of the pivot jaw {fig.B}.
4. Line up the holes on the TOP BRACE with those of the SIDE PLATES and fasten using (4) 5/8-18 X 1/2 inch bolts and (4) 5/16-18 serrated flange nuts. {fig.C}.
5. Fasten the FRONT BRACE to both SIDE PLATES using (4) 5/16-18 X 1/2 inch bolts and (4) 5/16-18 serrated flange nuts. {fig.D}. Pliers or vice grips are useful to help line up the holes to the SIDE PLATES.
6. Torque all 5/16 inch bolts to 15 foot lbs.



A properly fitted kit will look like Fig. E (below).

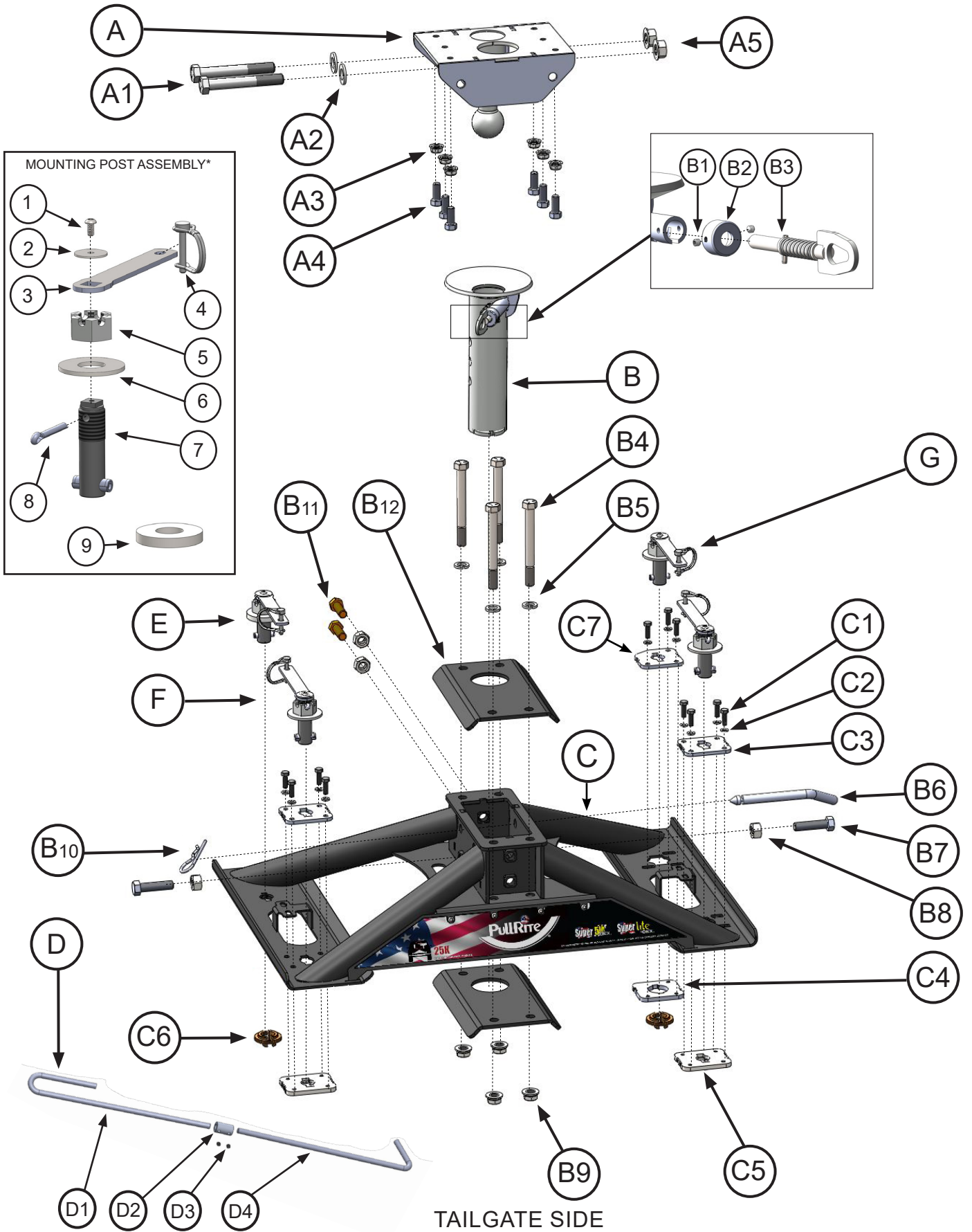


TORQUE TABLE

Apply these torque specifications for the corresponding items listed below upon installation and subsequent inspections of the SuperLite OEX. See parts lists for identification of items listed on this table.

HARDWARE	SIZE	TORQUE SPECS
LATCH PIN HOUSING SET SCREWS	1/4"	5 FT. LBS. - FACTORY ASSEMBLED
OEX FOOT PLATE SCREWS	5/16"	13 FT. LBS. - OEX FOOT PLATE BOLTS
ADAPTER PLATE SET SCREWS	1/2"	75 FT. LBS. - BOTH BOLT AND SET NUT, MUST BE TORQUED <u>BEFORE</u> TORQUING ADAPTER PLATE BOLTS
ADAPTER PLATE BOLTS	3/4"	75 FT. LBS. - TORQUE AFTER ADAPTER PLATE SET SCREWS
FUNNEL SET SCREWS	5/8"	45 FT. LBS. - FOUR BOLTS AND SNUG TIGHTEN NUTS
FUNNEL PLATE SCREWS	5/8"	45 FT. LBS. - FOUR BOLTS THROUGH COLUMN PLATES TIGHTEN WITH NUTS
OE FOOT POST SCREW	5/16"	4 FT. LBS. - ONE BUTTON HEAD SCREW TIGHTEN AT TOP OE FOOT POST

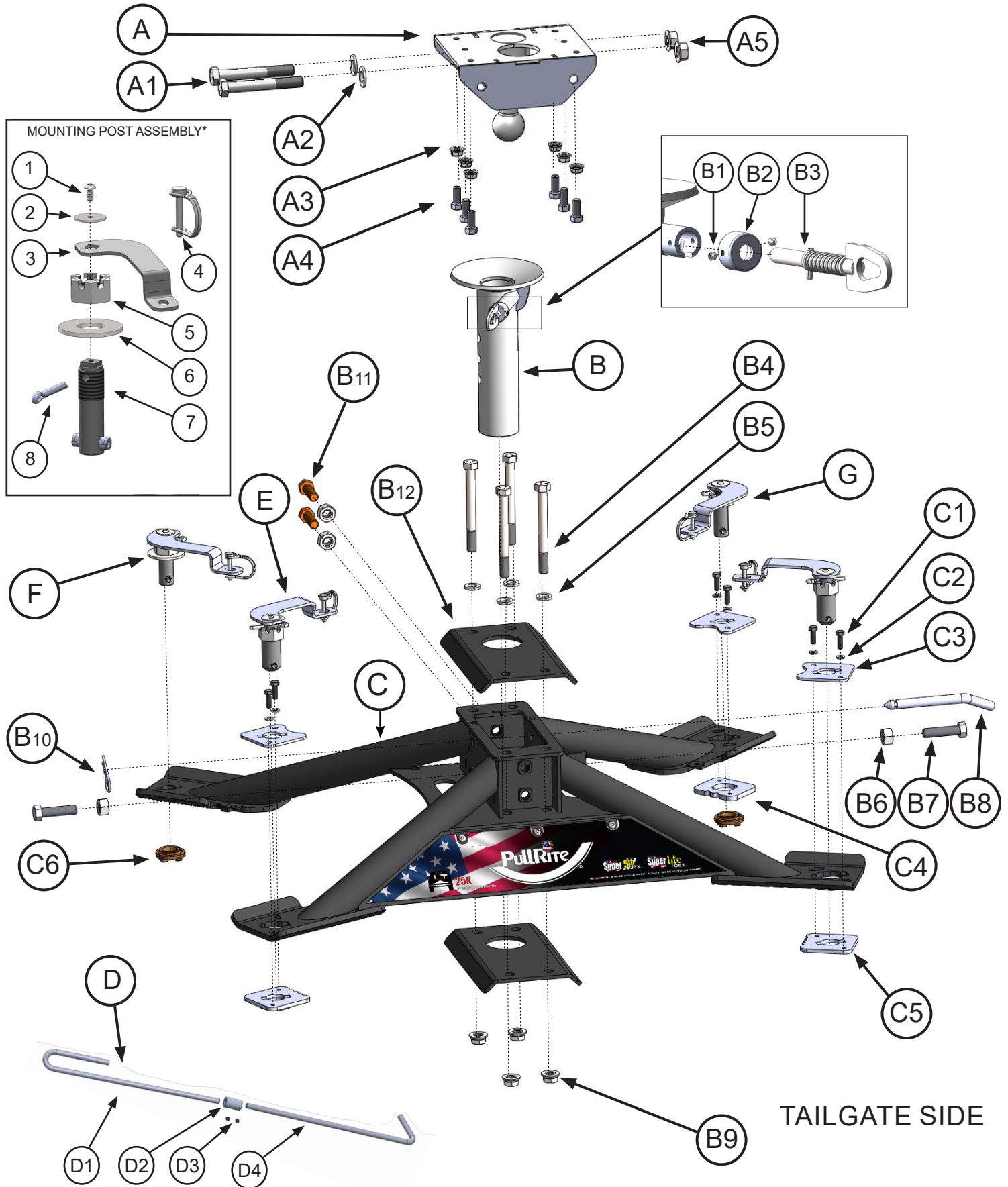
4715 SUPERLITE OEX EXPLODED VIEW



#4715 SUPERLITE OEX PARTS LIST

	NAME	PART NO.	QTY	DESCRIPTION
A	HD KING PIN ADAPTER ASSEMBLY	4811	1	ATTACHES TO KING PIN
B	FUNNEL ASSEMBLY	4813	1	ATTACHES TO KING PIN
C	FORD OEX BASE KIT	4730	1	ATTACHES TO KING PIN
D	REMOTE LATCH HANDLE	4812	1	ATTACHES TO KING PIN
E	OEX DS FRONT MOUNTING POST KIT	47341	1	ATTACHES TO KING PIN
F	OEX REAR MOUNTING POST KIT	47343	2	ATTACHES TO KING PIN
G	OEX PS FRONT MOUNTING POST KIT	47342	1	ATTACHES TO KING PIN
HD KING PIN ADAPTER HARDWARE KIT (#4811)				
A1	HD KING PIN ADAPTER HEX BOLT	98010149	2	3/4"-10 X 5.5" LONG HEX HEAD BOLT
A2	HD KING PIN ADATER FLAT WASHER	98250206	2	3/4" SAE FLAT WASHER
A3	HD KING PIN ADAPTER SERRATED FLANGE LOCK NUT	98150201	6	1/2"-13 SERRATED FLANGE NUT
A4	HD KING PIN ADAPTER HEX CAP SCREW	98010177	6	1/2"-13 X 1 1/4" HEX CAP SCREW
A5	HD KING PIN ADAPTER FLANGE NUT	98150205	2	3/4" - 10 FLANGE NUT
FUNNEL ASSEMBLY (KIT #4810)				
B1	LATCH PIN HOUSING SET SCREW	98410243	2	1/4-20 X 1/4" SET SCREW
B2	LATCH PIN CAP	24027401	1	
B3	LATCH PIN	98410568	1	
B4	FUNNEL LOCATION PLATE BOLT	98010304	4	5/8"-11 X 6" HEX CAP SCREW
B5	FUNNEL LOCATION PLATE LOCK WASHER	98200133	4	5/8" LOCK WASHER
B6	HITCH PIN	010019	1	5/8" DIA. X 4" HITCH PIN
B7	SIDE SET SCREW	98010219	1	5/8"-11 X 2 1/2" TAP BOLT
B8	HEAVY HEX JAM NUT	98150176	4	5/8" - 11 HEAVY HEX NUT
B9	FUNNEL LOCATION PLATE FLANGE NUT	98150200	4	5/8"-11 SERRATED FLANGE NUT
B10	PIN CLIP	98410143	1	# 9 PIN CLIP
B11	FRONT SET SCREW	98010220	2	5/8"-11X 2" HEX BOLT
B12	FUNNEL LOCATION PLATE	48142001	2	
BASE HARDWARE				
C1	MOUNTING POST PLATE BOLT	98010244	11	5/16"-18 X 1"
C2	MOUNTING POST PLATE LOCK WASHER	98200159	11	5/16" LOCK WASHER
C3	DS & PS REAR TOP MOUNTING POST PLATE	49330002	2	
C4	PS FRONT BOTTOM MOUNTING POST PLATE	47330004	1	
C5	DS & PS REAR BOTTOM MOUNTING POST PLATE	47331001	2	
C6	FORD MOUNTING WASHER	13070001	2	
C7	PS FRONT TOP MOUNTING POST PLATE	47330003	1	
*MOUNTING POST ASSEMBLY				
1	POST HANDLE ATTACHING SCREW	98410241	1	1/4-20 X 1/2" LONG BHSCS
2	POST HANDLE WASHER	98250150	1	1/4" OVERSIZED FLAT WASHER
3	OE MOUNTING POST HANDLE FORD	47341001	1	
4	BAIL PIN	98410581	1	1/4" DIA. x 1 1/2" BAIL PIN
5	CASTLE NUT	98150121	1	1"-14 CASTLE NUT
6	CASTLE NUT WASHER	98250100	1	1" USS FLAT WASHER
7	FOOT POST	18050101	1	
8	COTTER PIN	98410567	1	1/4" X 2" COTTER PIN
9	DS FRONT TOP MOUNTING POST WASHER	47330001	1	
REMOTE LATCH HANDLE ASSEMBLY (KIT #4812)				
D1	HANDLE END	48120002	1	
D2	RELEASE HANDLE COLLAR	48120003	1	
D3	RELEASE HANDLE SET SCREW	98410243	2	1/4"- 20 x 1/4" SHSS
D4	HOOK END	48120001	1	

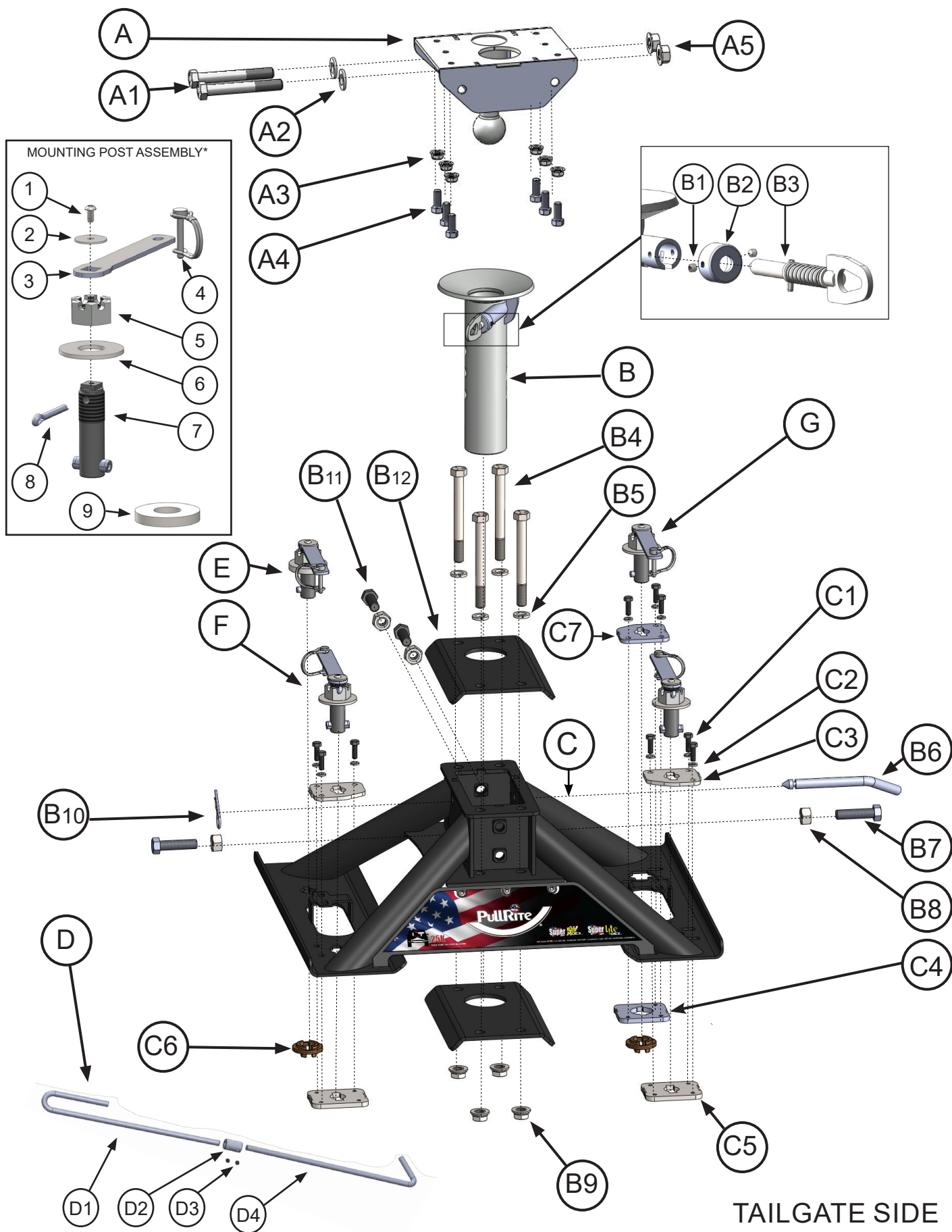
4815 SUPERLITE OEX EXPLODED VIEW



#4815 SUPERLITE OEX PARTS LIST

	NAME	PART NO.	QTY	DESCRIPTION
A	HD KING PIN ADAPTER ASSEMBLY	4811	1	
B	FUNNEL ASSEMBLY	4813	1	
C	RAM OEX HITCH BASE	4830	1	
D	REMOTE LATCH HANDLE	4812	1	
E	OEX DS FRONT MOUNTING POST	48341	1	
F	OEX REAR MOUNTING POSTS	48343	2	
G	OEX PS FRONT MOUNTING POST	48342	1	
HD KING PIN ADAPTER HARDWARE KIT KIT (#4811)				
A1	HD KING PIN ADAPTER BOLT	98010149	2	3/4"-10 X 5.5" LONG HEX HEAD BOLT
A2	HD KING PIN ADAPTER FLAT WASHER	98250206	2	3/4" SAE FLAT WASHER
A3	HD KING PIN ADAPTER SERRATED FLANGE LOCK NUT	98150201	6	1/2"-13 SERRATED FLANGE NUT
A4	HD KING PIN ADAPTER HEX CAP SCREW	98010177	6	1/2"-13 X 1 1/4" HEX CAP SCREW
FUNNEL ASSEMBLY (KIT #4810)				
B1	LATCH PIN HOUSING SET SCREW	98410243	2	1/4-20 X 1/4" SET SCREW
B2	LATCH PIN CAP	24027401	1	
B3	LATCH PIN	98410568	1	
B4	FUNNEL LOCATION PLATE BOLT	98010304	4	5/8"-11 X 6" HEX CAP SCREW
B5	FUNNEL LOCATION PLATE LOCK WASHER	98200133	4	5/8" LOCK WASHER
B6	HITCH PIN	010019	2	5/8" DIA. X 4" HITCH PIN
B7	SIDE SET SCREW	98010219	1	5/8"-11 X 2 1/2" TAP BOLT
B8	HEAVY HEX JAM NUT	98150176	4	5/8" - 11 HEAVY HEX NUT
B9	FUNNEL LOCATION PLATE FLANGE NUT	98150200	4	
B10	PIN CLIP	98410143	1	# 9 PIN CLIP
B11	FRONT SET SCREW	98010220	2	5/8"-11X 2" HEX BOLT
B12	FUNNEL LOCATION PLATE	48142001	2	
BASE HARDWARE				
C1	FOOT PLATE BOLT	98010244	11	5/16"-18 X 1"
C2	5/16" LOCK WASHER	98200159	11	5/16" LOCK WASHER
C3	DS & PS TOP MOUNTING POST PLATES	48342001	3	
C4	PS FRONT BOTTOM MOUNTING POST PLATE	48341002	1	
C5	DS & PS REAR BOTTOM MOUNTING POST PLATE	48342101	2	
C6	MOUNTING WASHER	13070001	2	
*MOUNTING POST ASSEMBLY				
1	1/4-20 BUTTON HEAD SCREW	98410241	1	1/4-20 X 1/2" LONG BHSCS
2	1/4 FLAT WASHER	98250150	1	1/4" OVERSIZED FLAT WASHER
3	MOUNTING POST HANDLE RAM	48354001	1	
4	BAIL PIN	98410581	1	1/4" DIA. x 1 1/2" BAIL PIN
5	SLOTTED NUT	98150121	1	1"-14 SLOTTED NUT
6	DS FRONT BASE FOOT FLAT WASHER	98250100	1	1" USS FLAT WASHER
7	MOUNTING POST	18050101	1	
8	COTTER PIN	98410567	1	1/4" X 2" COTTER PIN
REMOTE LATCH HANDLE ASSEMBLY				
D1	HANDLE END	48120002	1	
D2	RELEASE HANDLE COLLAR	48120003	1	
D3	RELEASE HANDLE SET SCREW	98410243	2	1/4"- 20 x 1/4" SHSS
D4	HOOK END	48120001	1	

4915 SUPERLITE OEX EXPLODED VIEW



#4915 SUPERLITE OEX PARTS LIST

	NAME	PART NO.	QTY	DESCRIPTION
A	HD KING PIN ADAPTER ASSEMBLY	4811	1	
B	FUNNEL ASSEMBLY	4813	1	
C	GM OEX BASE KIT	4930	1	
D	REMOTE LATCH HANDLE	4812	1	
E	OEX DS FRONT MOUNTING POST KIT	49341	1	
F	OEX REAR MOUNTING POST KIT	49343	2	
G	OEX PS FRONT MOUNTING POST KIT	49342	1	
HD KING PIN ADAPTER HARDWARE KIT KIT (#4811)				
A1	HD KING PIN ADAPTER HEX BOLT	98010149	2	3/4"-10 X 5.5" LONG HEX HEAD BOLT
A2	HD KIN PIN ADAPTER FLAT WASHER	98250206	2	3/4" SAE FLAT WASHER
A3	HD KING PIN ADAPTER SERRATED FLANGE LOCK NUT	98150201	6	1/2"-13 SERRATED FLANGE NUT
A4	HD KING PIN ADAPTER HEX CAP SCREW	98010177	6	1/2"-13 X 1 1/4" HEX CAP SCREW
A5	HD KING PIN ADAPTER FLANGE NUT	98150205	2	3/4" - 10 FLANGE NUT
FUNNEL ASSEMBLY (KIT #4810)				
B1	LATCH PIN HOUSING SET SCREW	98410243	2	1/4-20 X 1/4" SET SCREW
B2	LATCH PIN CAP	24027401	1	
B3	LATCH PIN	98410568	1	
B4	FUNNEL LOCATION PLATE BOLT	98010304	4	5/8"-11 X 6" HEX CAP SCREW
B5	FUNNEL LOCATION PLATE LOCK WASHER	98200133	4	5/8" LOCK WASHER
B6	HITCH PIN	010019	2	5/8" DIA. X 4" HITCH PIN
B7	SIDE SET SCREW	98010219	1	5/8"-11 X 2 1/2" TAP BOLT
B8	HEAVY HEX JAM NUT	98150176	4	5/8" - 11 HEAVY HEX NUT
B9	FUNNEL LOCATION PLATE FLANGE NUT	98150200	4	
B10	PIN CLIP	98410143	1	# 9 PIN CLIP
B11	FRONT SET SCREW	98010220	2	5/8"-11X 2" HEX BOLT
B12	FUNNEL LOCATION PLATE	48142001	2	
BASE HARDWARE				
C1	FOOT PLATE BOLT	98010244	11	5/16"-18 X 1"
C2	5/16" LOCK WASHER	98200159	11	5/16" LOCK WASHER
C3	DS & PS REAR TOP MOUNTING POST PLATE	49330001	3	
C4	PS FRONT BOTTOM MOUNTING POST PLATE	47330004	1	
C5	DS & PS REAR BOTTOM MOUNTING POST PLATE	47331001	2	
C6	MOUNTING WASHER	13070001	2	
C7	PS FRONT TOP MOUNTING POST PLATE	47330003	1	
*MOUNTING POST ASSEMBLY				
1	1/4-20 BUTTON HEAD SCREW	98410241	1	1/4-20 X 1/2" LONG BHSCS
2	1/4" FLAT WASHER	98250150	1	1/4" OVERSIZED FLAT WASHER
3	MOUNTING POST HANDLE	47341001	1	
4	BAIL PIN	98410581	1	1/4" DIA. x 1 1/2" BAIL PIN
5	SLOTTED NUT	98150121	1	1"-14 SLOTTED NUT
6	1" FLAT WASHER	98250100	1	1" USS FLAT WASHER
7	MOUNTING POST	18050101	1	
8	COTTER PIN	98410567	1	1/4" X 2" COTTER PIN
9	DS FRONT TOP MOUNTING WASHER	47330001	1	
REMOTE LATCH HANDLE ASSEMBLY				
D1	HANDLE END	48120002	1	
D2	RELEASE HANDLE COLLAR	48120003	1	
D3	RELEASE HANDLE SET SCREW	98410243	2	1/4"- 20 x 1/4" SHSS
D4	HOOK END	48120001	1	

5 YEAR LIMITED WARRANTY

PULLIAM ENTERPRISES, INC. hereinafter referred to as "PULLIAM", warrants to the first retail owner only, this PullRite towing system to be free from defects in materials and workmanship for a period of five (5) years or 31,068 miles (50,000 km) after the installation on purchaser's vehicle, whichever occurs first.

To validate this warranty, the first retail owner must mail the provided warranty card to PULLIAM, or register online at www.pullrite.com, within ten (10) days after installation of said towing system on his vehicle.

The owner is responsible for all normal and preventative maintenance described in the Owner's Manual.

If any defect occurs which the owner believes is covered by this warranty within said five (5) year period, the owner shall contact PULLIAM immediately, either in writing or by telephone call, Attention Customer Service Department. The owner will be instructed to return the hitch at his expense either to an authorized PullRite dealer or to PULLIAM to repair or replace any parts necessary to correct defects in material or workmanship.

Repair or replacement shall be at the sole option of PULLIAM and shall be completed by or on behalf of PULLIAM free of charge for materials and labor.

This warranty gives you specific legal rights, and you may also have other rights which vary from state to state.

THIS WARRANTY SPECIFICALLY *EXCLUDES* EACH OF THE FOLLOWING:

1. Defects in the product resulting from misuse, neglect, accident, loading beyond the vehicle's capacity, failure to comply with instructions contained in the Owner's Manual or unauthorized repairs, replacements, alterations or modifications. "Unauthorized repair, replacements, alterations" are those made without PULLIAM'S prior knowledge and consent.
2. Any incidental or consequential damage including, but not limited to, loss of use of the vehicle, towing charges, vehicle rental, loss of time, inconvenience, travel, gasoline, lodging and telephone expenses, loss of revenue and damages on account of personal injury and property damage. (Some states do not allow the exclusion or limitation of incidental or consequential damages, so these limitations may not apply to you).
3. Repairs or replacements of defects in any PullRite towing system, or part thereof, installed on any vehicle which has been rented, leased or used for any commercial purpose.
4. Any representation, warranty of undertaking made by any dealer or third party beyond the scope of the warranty herein expressed.
5. Any problem resulting in normal deterioration due to wear or exposure.

TO THE EXTENT PERMITTED BY LAW, IMPLIED WARRANTIES OF MERCHANTABILITY AND FITNESS FOR A PARTICULAR PURPOSE ARE LIMITED IN DURATION TO FIVE YEARS FROM THE DATE OF INSTALLATION ON THE FIRST OWNER'S VEHICLE. (SOME STATES, HOWEVER, DO NOT ALLOW LIMITATIONS AS TO DURATION OF IMPLIED WARRANTY, SO THOSE LIMITATIONS MAY NOT APPLY TO YOU)



Product Warranty Registration

As an owner of a PullRite product, you must register your product to be considered for warranty coverage. See Owners Manual for further details.

Please note, that you can also register online at www.pullrite.com/warranty.htm.

Name: _____

Address: _____

City: _____ State: _____ Zip: _____

Email Address: _____

Phone (optional): _____

Purchase Price: _____ Date of Purchase: _____

Dealer's Name: _____

Dealer's Address: _____

Dealer's City: _____ Dealer's State: _____ Dealer's Zip: _____

Dealer's Phone: _____

Model Purchased: _____

Vehicle Make: _____ Vehicle Model: _____ Vehicle Year: _____

Vehicle Year: _____ Vehicle Cab Style: _____ Vehicle Bed Length: _____

Did you receive an Owners Manual from the Dealer? Yes / No

What influenced you to buy your hitch? _____

Comments:



MANUFACTURED BY:

PULLIAM ENTERPRISES, INC.
13790 East Jefferson Blvd.
Mishawaka, IN 46545
(574) 259-1520 • (800) 443-2307
info@pullrite.com • www.pullrite.com