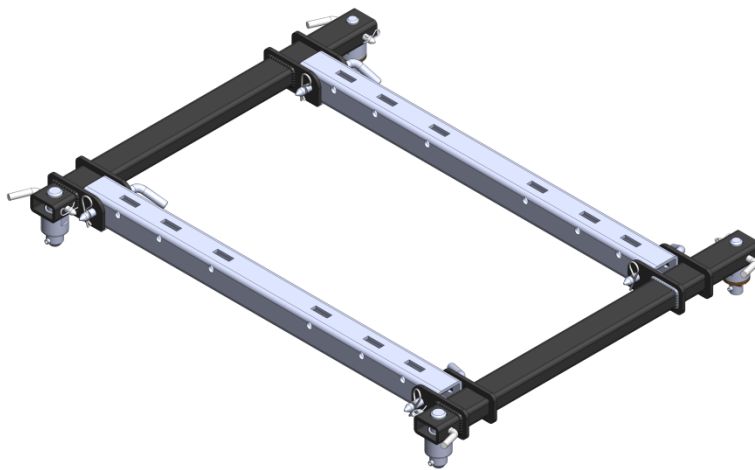




DODGE

25K OE Series Industry Standard Adapter

#4439



Gross Trailer Weight (Maximum)25,000 lbs.

Vertical Load Weight (Max. Fit Weight).....6,250 lbs.

SYSTEM TOW CAPTACITY

Please note, in order to determine the total tow capacity of a system, you must consider the weight ratings of each component in that system. This includes, but may not be limited to, the capacity/rating of the tow vehicle, the fifth wheel hitch, and the hitch's mounting system. Actual tow capacity of the system, will be equal to the lowest rated component.

Installation Instructions

SPECIFICATIONS

- 2013 Dodge Ram 3500 with 5th Wheel/Gooseneck Towing Prep Kit Option
- 2014 Dodge Ram 2500/3500 with 5th Wheel/Gooseneck Towing Prep Kit Option
 - Industry Standard Mounting Rails are located center of axle
 - SAE J2638 Rated at 25,000 lbs

TABLE OF CONTENTS

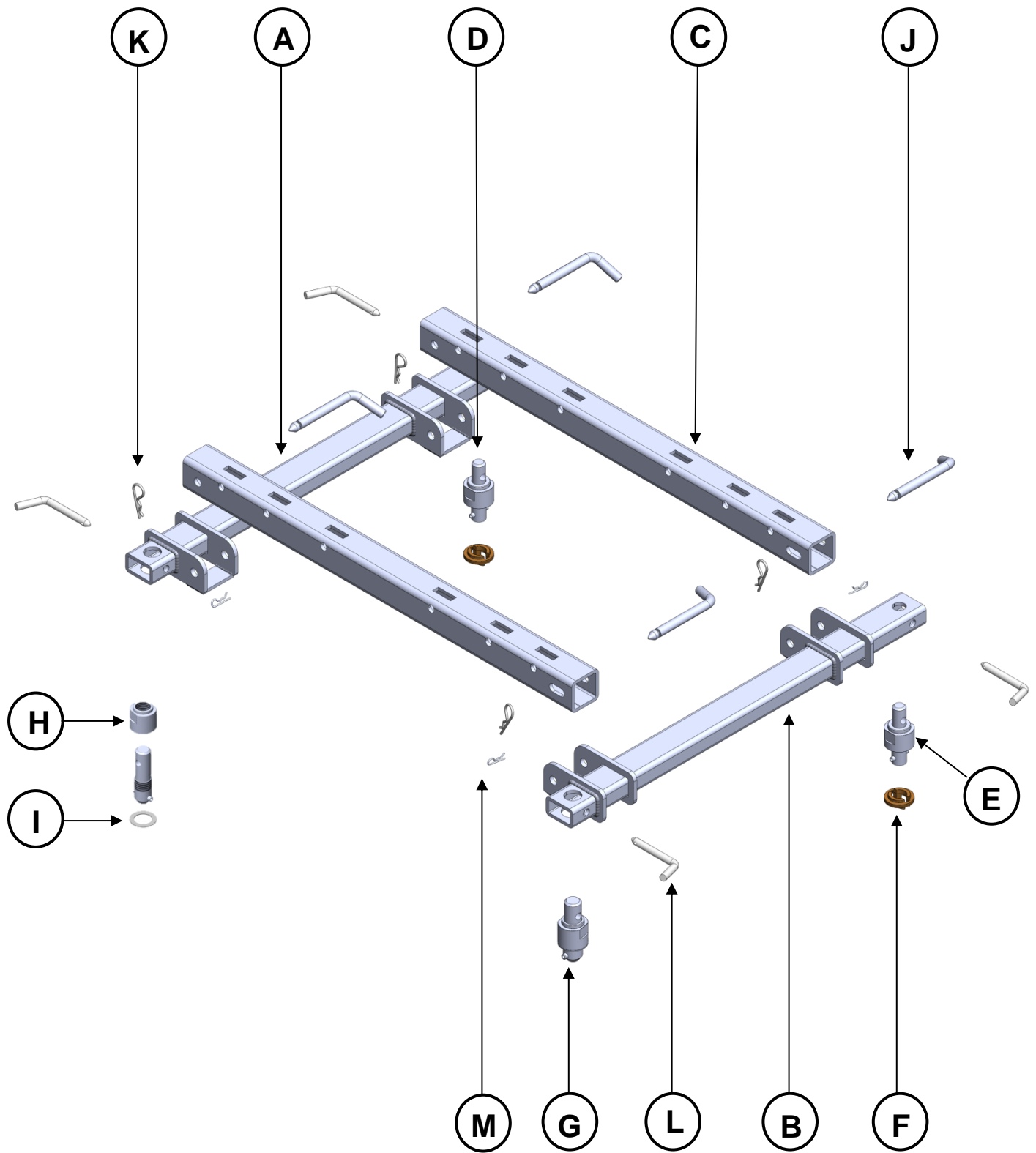
EXPLODED VIEW 3

PARTS LIST 4

INSTALLATION 5-6

5 YEAR WARRANTY 7

EXPLODED VIEW



PARTS LIST

#4439 DODGE 25K OE INDUSTRY STANDARD ADAPTER

item	description	part no.	qty.
A	DRIVER SIDE SUPPORT RAIL WELDMENT	443901	1
B	PASSENGER SIDE SUPPORT RAIL WELDMENT	443902	1
	ISR BASE RAIL SET	443903	See Below
	FRONT MOUNTING POST ASSEMBLY	443904	See Below
	REAR MOUNTING POST ASSEMBLY	443905	See Below
	HARDWARE KIT	443906	See Below

#443903 – ISR BASE RAIL SET

item	description	part no.	qty.
C	ISR BASE RAIL	44390301	2

#443904 – FRONT MOUTING POST ASSEMBLY

item	description	part no.	qty.
D	FRONT MOUTNING POST	44390401	2
E	FRONT MOUNTING POST NUT	44390402	2
F	MOUNTING WASHER	13070001	2

#443905 – REAR MOUNTING POST ASSEMBLY

item	description	part no.	qty.
G	REAR MOUNTING POST	44390501	2
H	REAR MOUNTING POST NUT	44390502	2
I	NYLON WASHER	44390503	2

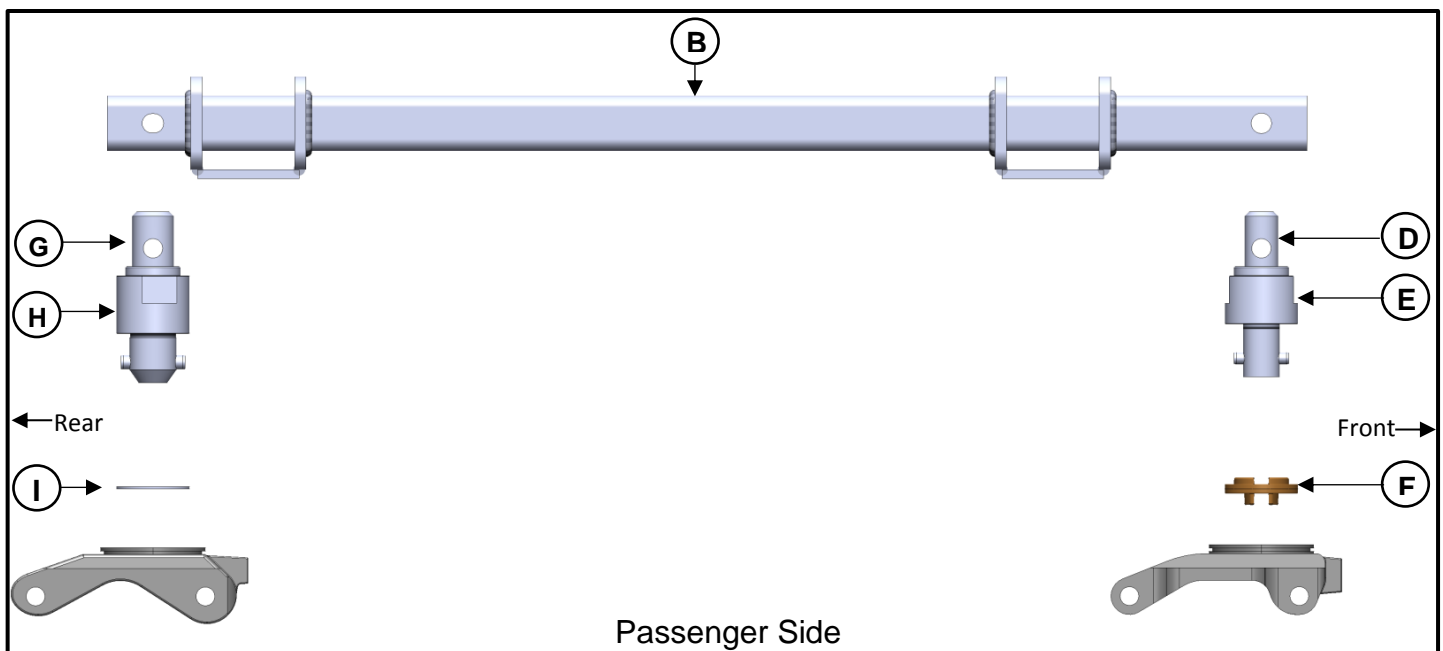
#443906 – HARDWARE KIT

item	description	part no.	qty.
J	5/8" HITCH PIN	010019	4
K	#9 PIN CLIP	98410143	4
L	1/2" HITCH PIN	08060001	4
M	#3 PIN CLIP	98410127	4

INSTALLATION

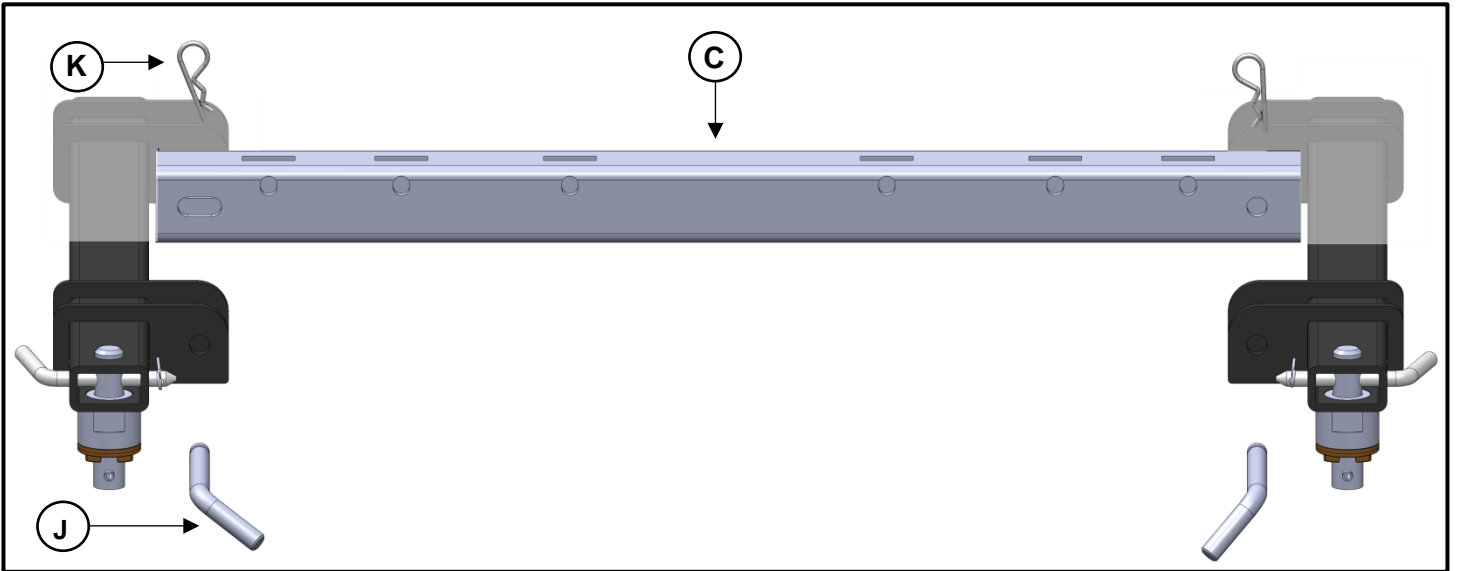
Check parts in box against parts list to insure all components are present.

1. Position the mounting washer (F) on the front mounting post location.
2. Insert front mounting posts (D) through the mounting washers (F) and into mounting post locations. Rotate mounting post 90° and tighten the nut (E) by hand, securing the post in position.
3. Repeat steps 1 and 2 with the nylon washers (I) and mounting posts (G).
4. Place the passenger side supporting rail weldments (B) onto the mounting posts. Place the 1/2" pin (L) through weldments and lock into place with pin clip (M). Repeat step for driver side.
5. Adjust the nut so that the supporting rail weldments rest on the nut and not the hitch pin.

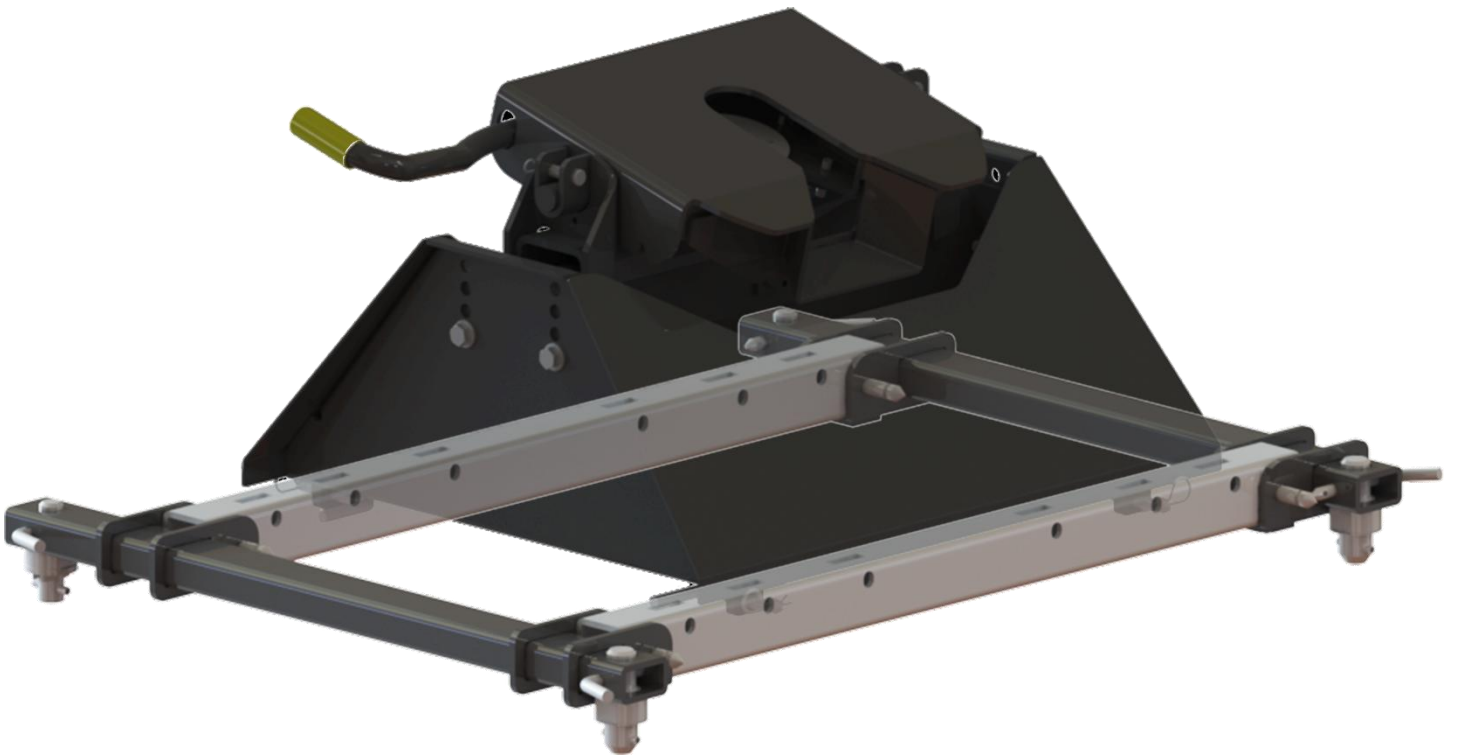


INSTALLATION

- Place the ISR base rails (C) into the support rail weldments. Lock the base rails into place with the hitch pin (J) and secure with the pin clip (K).



- Once hitch pins and clips are secured, set your fifth wheel in the corresponding mounting locations and secure with 1/2" hitch pins (not included).



5 Year Warranty

PULLIAM ENTERPRISES, INC. hereinafter referred to as "PULLIAM", warrants to the first retail owner only, this PullRite towing system to be free from defects in materials and workmanship for a period of five (5) years or 31,068 miles (50,000 km) after the installation on purchaser's vehicle, whichever occurs first.

To validate this warranty, the first retail owner must mail the provided warranty card to PULLIAM, or register online at www.pullrite.com, within ten (10) days after installation of said towing system on his vehicle.

The owner is responsible for all normal and preventative maintenance described in the Owner's Manual.

If any defect occurs which the owner believes is covered by this warranty within said five (5) year period, the owner shall contact PULLIAM immediately, either in writing or by telephone call, Attention Customer Service Department. The owner will be instructed to return the hitch at his expense either to an authorized PullRite dealer or to PULLIAM to repair or replace any parts necessary to correct defects in material or workmanship.

Repair or replacement shall be at the sole option of PULLIAM and shall be completed by or on behalf of PULLIAM free of charge for materials and labor.

This warranty gives you specific legal rights, and you may also have other right's which vary from state to state.

THIS WARRANTY SPECIFICALLY EXCLUDES EACH OF THE FOLLOWING:

1. Defects in the product resulting from misuse, neglect, accident, loading beyond the vehicle's capacity, failure to comply with instructions contained in the Owner's Manual or unauthorized repairs, replacements, alterations or modifications. "Unauthorized repair, replacements, and alterations" are those made without PULLIAM'S prior knowledge and consent.
2. Any incidental or consequential damage including, but not limited to, loss of use of the vehicle, towing charges, vehicle rental, loss of time, inconvenience, travel, gasoline, lodging and telephone expenses, loss of revenue and damages on account of personal injury and property damage. (Some states do not allow the exclusion or limitation of incidental or consequential damages, so these limitations may not apply to you).
3. Repairs or replacements of defects in any PullRite towing system, or part thereof, installed on any vehicle which has been rented, leased or used for any commercial purpose.
4. Any representation, warranty of undertaking made by any dealer or third party beyond the scope of the warranty herein expressed.
5. Any problem resulting in normal deterioration due to wear or exposure.

TO THE EXTENT PERMITTED BY LAW, IMPLIED WARRANTIES OF MERCHANTABILITY AND FITNESS FOR A PARTICULAR PURPOSE ARE LIMITED IN DURATION TO FIVE YEARS FROM THE DATE OF INSTALLATION ON THE FIRST OWNER'S VEHICLE. (SOME STATES, HOWEVER, DO NOT ALLOW LIMITATIONS AS TO DURATION OF IMPLIED WARRANTY, SO THOSE LIMITATIONS MAY NOT APPLY TO YOU)



MANUFACTURED BY:
PULLIAM ENTERPRISES, INC.
13790 East Jefferson Blvd.
Mishawaka, IN 46545
(574) 259-1520 • (800) 443-2307
info@pullrite.com • www.pullrite.com